





D-DI-H72Ø-E-2  
 D-UA-H72Ø-E-Ø  
 A-PL-H72Ø-E-Ø  
 D-CS-H72Ø-E-1  
 E-IA-5409267-0-0  
 D-CS-5409267-0-0  
 E-IA-5409Ø30-Ø-Ø  
 B-CS-5409Ø30-Ø-1

D-AD-7ØØ8308-0-C  
 A-PL-7ØØ8308-Ø-Ø

E-UA-861-Ø-Ø  
 D-CS-861-C-1  
 D-CS-5410206-Ø-1

DRAWING INDEX H72Ø-E  
 POWER SUPPLY H72Ø-E  
 POWER SUPPLY H72Ø-E (PL)  
 CIRCUIT SCHEMATIC H72Ø-E  
 POWER REG. BOARD (H72Ø-E & F)  
 POWER REG. BOARD SCHEMATIC (H72Ø E & F)  
 SWITCH BOARD (H72ØE & F)  
 SWITCH BOARD SCHEMATIC (H72Ø E & F)

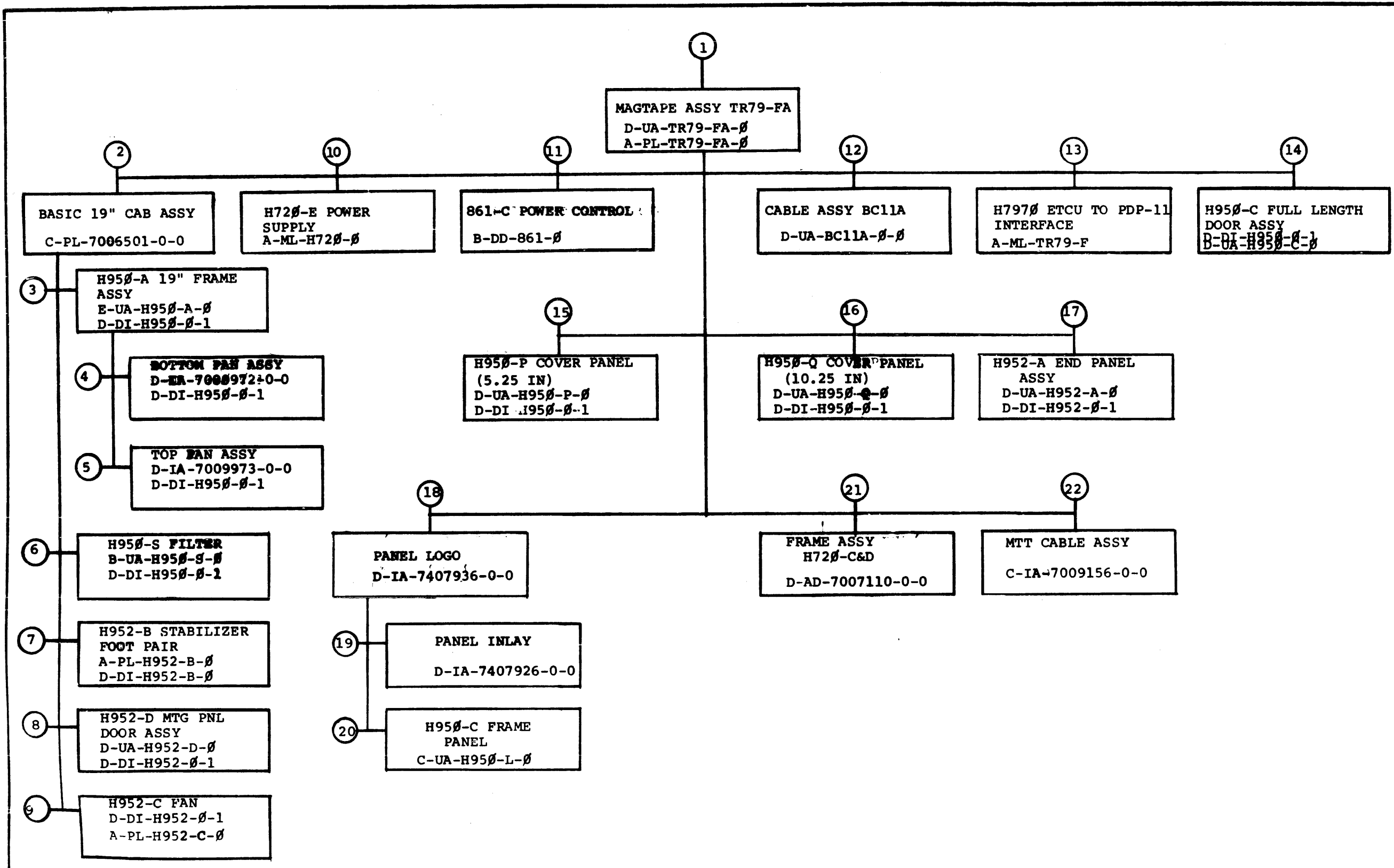
HEAT SINK ASSY (H720 E & F)  
 HEAT SINK ASSY (PL) (H72Ø E & F)

POWER CONTROL 861  
 CIRCUIT SCHEMATIC  
 PILOT CONTROL

TITLE	SHEET	OF	SIZE	CODE	NUMBER	REV
MAGTAPE TR79-FA			B	TC	TR79-FA	







TITLE	SHEET	OF	SIZE	CODE	NUMBER	REV
MAGTAPE ASSY, TR79-FA	2	5	B	DD	TR79-FA	



CUSTOMER PRINT SET		MECHANICAL					CUSTOMER PRINT SET		MECHANICAL				
NO.	REV	DRAWING NO.	REV	NO OF SHT	DESCRIPTION	OPTION NO./FILE DATE	NO.	REV	DRAWING NO.	REV	NO OF SHT	DESCRIPTION	OPTION NO./FILE DATE
		5		D-IA-7009973-0-0	1	TOP PAN ASSY			12		D-UA-BC11A-0-0	1	CABLE ASSY BC11A
				D-DI-H950-0-1	1	DRAWING INDEX LIST H950							
		6		B-UA-H950-0-1	1	H950-S FILTER			13		A-ML-TR79-F	2	H7970ETCU TO PDP-11 INTERFACE
				D-DI-H950-0-1	1	DRAWING INDEX LIST H950							
		7		A-PL-H952-B-0	1	H952-B STABILIZER FT. PAIR			14		D-UA-H950-C-0	1	H950-C FULL LENGTH DR ASSY
				D-DI-H952-0-1	1	DRAWING INDEX LIST H952					D-DI-H950-0-1	1	DWG INDEX LIST H950
		8		D-UA-H950-D-0	1	H950-D 19" MTG PNL DR ASSY			15		D-UA-H950-P-0		H950-P COVER PANEL
				A-PL-H950-D-0	1	H950-D 19" MTG PNL DR ASSY					D-DI-H950-0-1		DWG INDEX LIST H950
				D-DI-H950-0-1	1	DWG INDEX LIST H950							
		9		A-PL-H952-C-0	1	H952-C FAN			16		D-UA-H950-0-0	1	H950-Q COVER PANEL
				D-DI-H952-0-1	1	DWG INDEX LIST H952					D-DI-H950-0-1	1	DWG INDEX LIST H950
		10		A-ML-H720-0	3	H720-E POWER SUPPLY			17		D-UA-H952-A-0	1	H952-A END PANEL
											D-DI-H952-0-1	1	DWG INDEX LIST H952
		11		B-DD-861-0	3	B-1-C POWER CONTROL							

CUSTOMER PRINT SET  
 X = PRINT OF DOCUMENT INCLUDED IN PRINT SET  
 C = INCLUDES ALL PRINTS INDICATED ON DOCUMENT  
 S = CONFIDENTIAL AUTHORIZED SIGNATURE REQUIRED

TITLE  
 MAGTAPE ASSY, TR79-FA  
 SHEET 4 OF 5  
 SIZE CODE  
 8 DD  
 NUMBER  
 TR79-FA  
 REV

DRB 108

digital

EN-01062-2B-16-R972-(325)



CUSTOMER PRINT SET		MECHANICAL					CUSTOMER PRINT SET		MECHANICAL				
REF. SET	FIG. NO.	DRAWING NO.	REV	NO OF SHT	DESCRIPTION	OPTION NO./FILE DATE	REF. SET	FIG. NO.	DRAWING NO.	REV	NO OF SHT	DESCRIPTION	OPTION NO./FILE DATE
	18	D-IA-7407936-0-0		1	PANEL LOGO								
	19	D-IA-7407926-1-0		1	PANEL INLAY								
		C-SS-7407926-0-1		1	LOGL COLOR								
		C-SS-7407926-0-2		1	LOGO COLOR								
		C-SS-7407926-0-3		1	LOGO COLOR								
	20	C-UA-H95 $\phi$ -L- $\phi$		2	H95 $\phi$ -L FRAME PANEL								
		A-PL-H95 $\phi$ -L- $\phi$		1	H95 $\phi$ -L FRAME PANEL (PL)								
		D-SC-1209693-0-0		1	PANEL, FRAME PLASTIC								
	21	D-AD-7007110-0-0		1	FRAME ASSY (H72 $\phi$ -C & D)								
		A-PL-7007110-0-0		1	FRAME ASSY (H72 $\phi$ -C & D) PL								
CUSTOMER PRINT SET CODES						X = PRINT OF DOCUMENT INCLUDED IN PRINT SET C = INCLUDES ALL PRINTS INDICATED ON DOCUMENT S = CONFIDENTIAL AUTHORIZED SIGNATURE REQUIRED	TITLE		MAGTAPE ASSY, TR79-FA		SIZE CODE		NUMBER TR79-FA REV
								SHEET 5 OF 5		B DD			

DPB 108

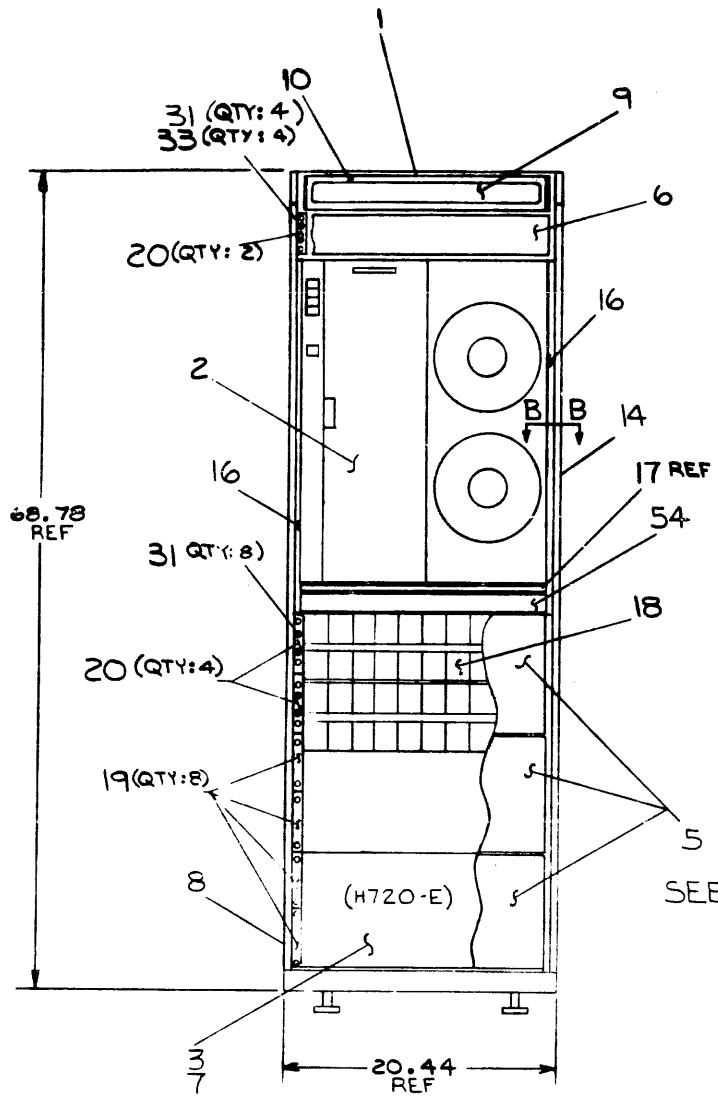
digital EN-01062-2B-16-R972-(325)

THIS DRAWING AND SPECIFICATIONS HEREIN ARE THE PROPERTY OF BELL TELEPHONE CORPORATION AND SHALL NOT BE REPRODUCED OR TRANSMITTED IN ANY FORM OR BY ANY MEANS, ELECTRONIC OR MECHANICAL, INCLUDING PHOTOCOPYING, RECORDING, OR BY ANY INFORMATION STORAGE AND RETRIEVAL SYSTEM.

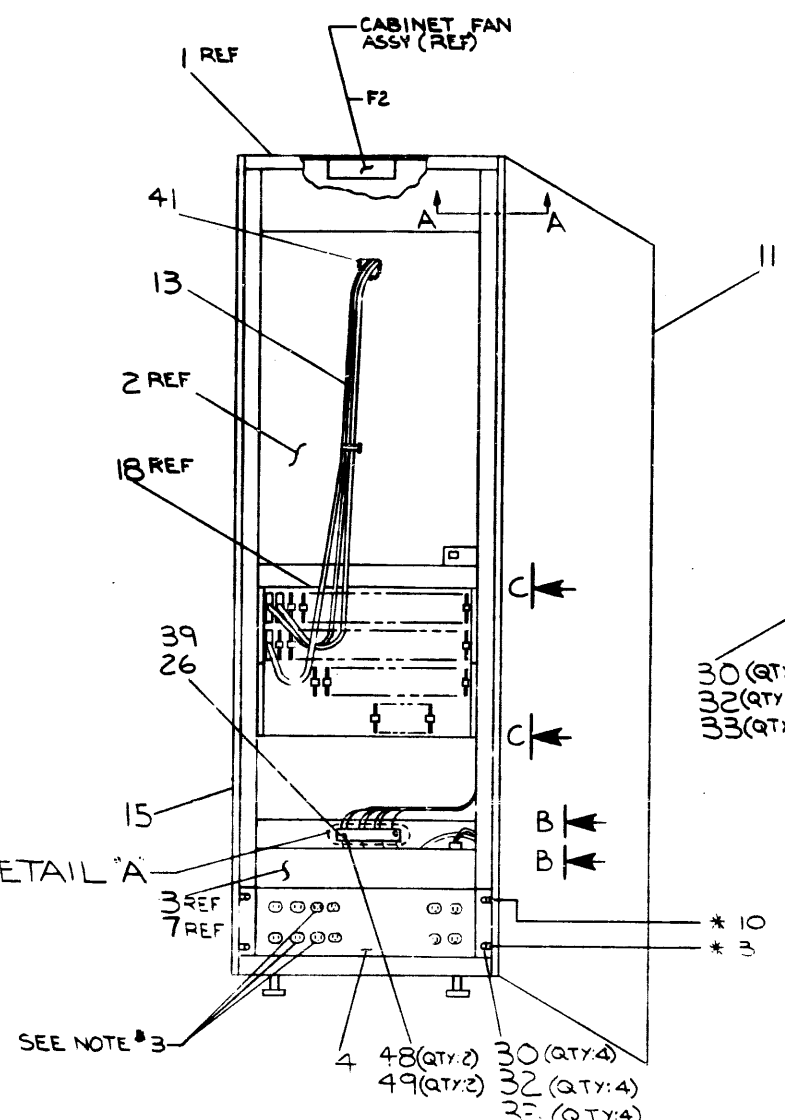
0-FA-621 MTD 2

NOTES:

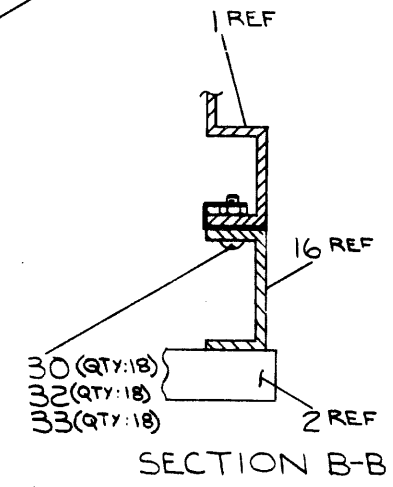
1. BC11A CABLE (ITEM #12) PLUGS INTO SLOT AB21 ON H7970E TCU TO PDP-11 INTERFACE (ITEM #18).
2. MTT CABLE (ITEM #15) PLUGS INTO SLOTS AB31 & AB32 ON H7970E TCU TO PDP-11 INTERFACE (ITEM #18) (REFER TO DWG #D-IA-7009156-0-0)
3. POWER CORDS FROM 861 POWER CONTROL (ITEM #4) TO BE CONNECTED FROM:
  - A. CIRCUIT #2 ON THE SWITCHED SIDE TO THE H720 POWER SUPPLY (ITEM #3)
  - B. CIRCUIT #1 ON THE SWITCHED SIDE TO THE TAPE TRANSPORT (ITEM #2)
  - C. CIRCUIT #1 ON THE SWITCHED SIDE TO CABINET FAN ASSY (ITEM #1) WITH POWER CORD (ITEM #9) SEE DETAIL B.



FRONT VIEW



REAR VIEW



SECTION B-B

SEE DETAIL 'A'

SEE NOTE #3

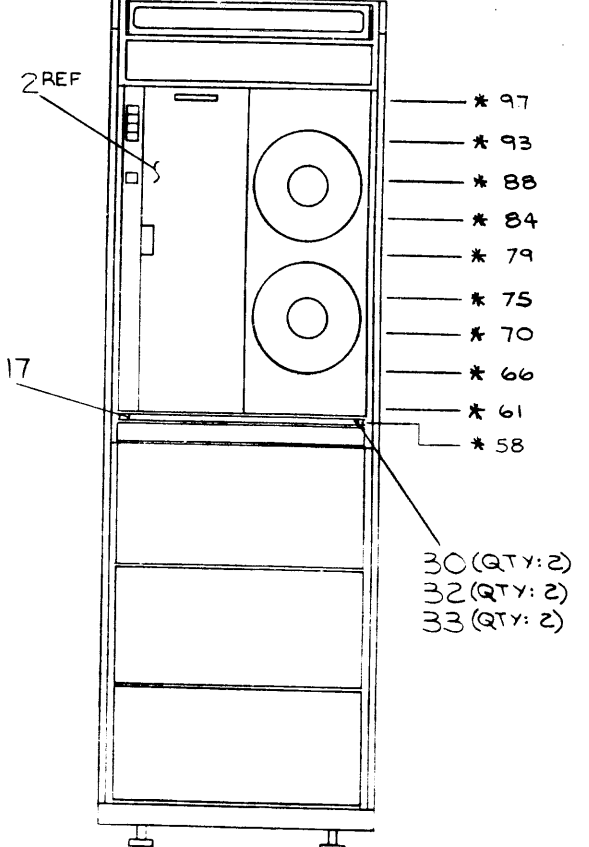
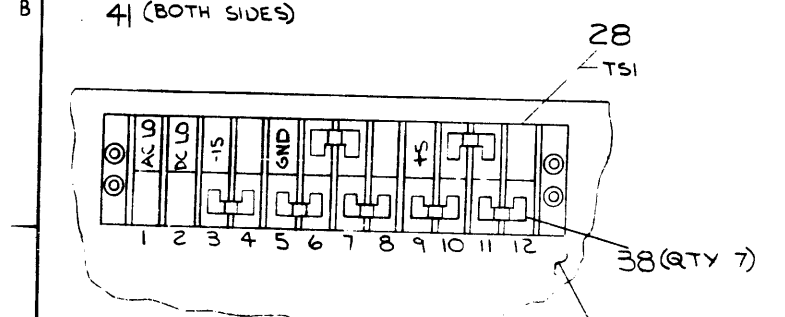
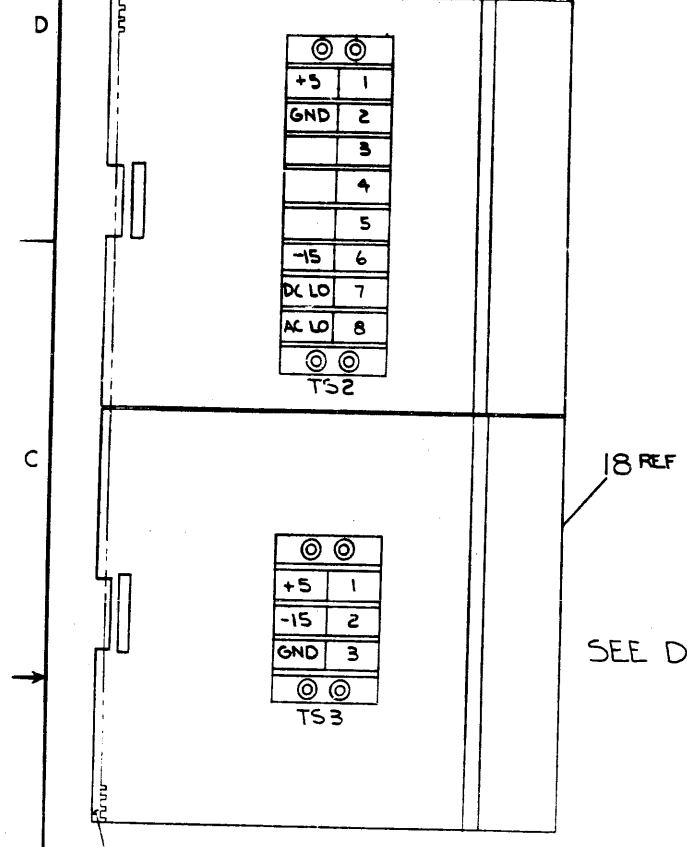
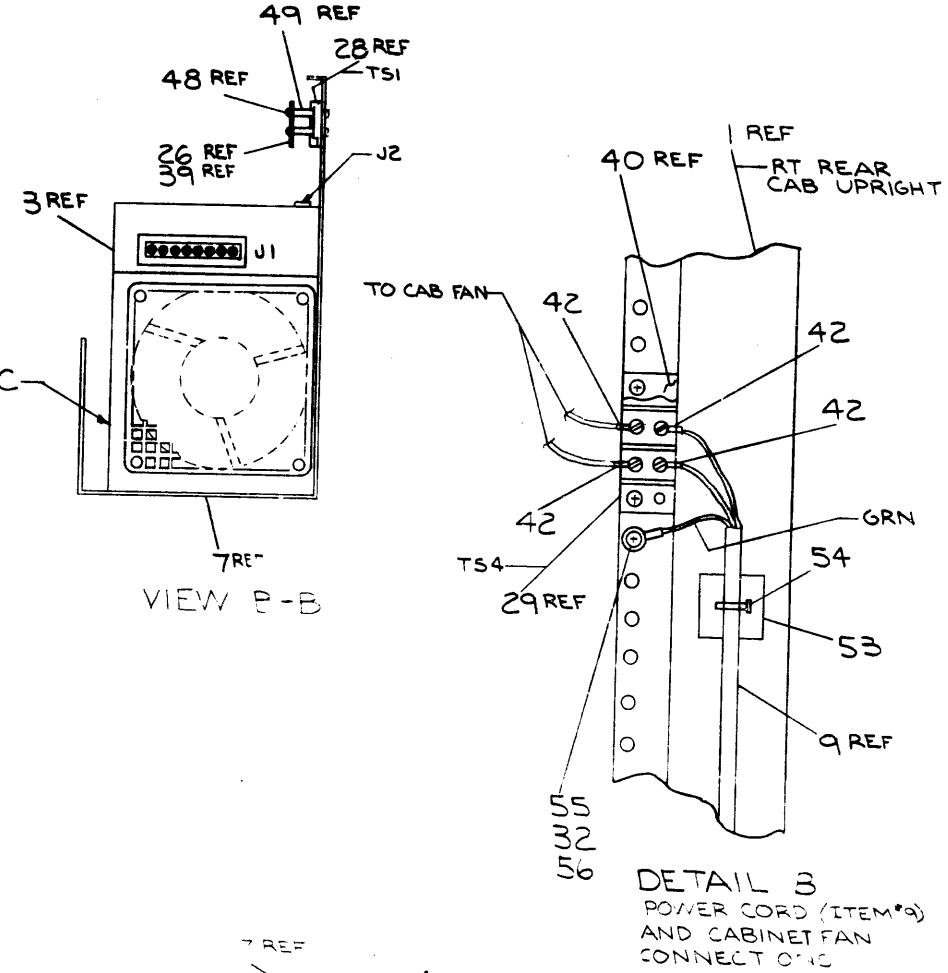
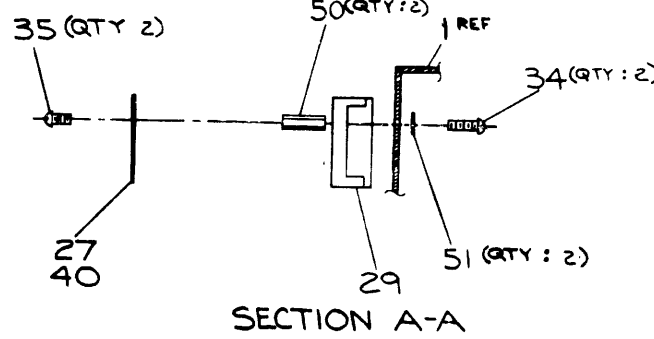
OFF SHEET PARTS LIST REFER TO A-PL-TR79-FA-0

DESCRIPTION	DWG. PART NO.	ITEM NO.
UNLESS OTHERWISE SPECIFIED DIMENSIONS ARE IN INCHES		
ANGLES "0" 30"	CLASS OF ACCURACY	NOMINAL DIMENSION RANGE INCHES
SURFACE QUALITY IN	(CHECK CASE)	OVER 0 TO 0.2 0.2 TO 0.5 0.5 TO 1.0 1.0 TO 1.5 1.5 TO 2.0 2.0 TO 3.0 3.0 TO 4.0 4.0 TO 5.0 5.0 TO 6.0 6.0 TO 8.0 8.0 TO 10.0
QUANTITY & VARIATION	MEDIUM	1.001 1.002 1.012 1.016 1.024 1.032 1.04
	PREFERRED	1.012 1.016 1.024 1.04 1.063 1.08
THIRD ANGLE PROJECTION	DRN / [Signature]	FIRST USED ON TR79-FA
REMOVE BURRS AND BREAK SHARP CORNERS	CHKD / [Signature]	TITLE MAGTAPE ASSY, TR79-FA
DO NOT SCALE DWG	ENG / [Signature]	
MATERIAL SEE PARTS LIST	PROD / [Signature]	
FINISH	NEXT HIGHER ASSY.	
SCALE	B-DD-TR79-FA	SIZE CODE NUMBER REV.
SHEET		D UA TR79-FA-0

THIS DRAWING AND SPECIFICATIONS HEREIN ARE THE PROPERTY OF DIGITAL EQUIPMENT CORPORATION AND SHALL NOT BE REPRODUCED OR COPIED OR USED IN WHOLE OR IN PART AS THE BASIS FOR THE MANUFACTURE OR SALE OF ITEMS WITHOUT WRITTEN PERMISSION. COPYRIGHT © 1975 DIGITAL EQUIPMENT CORPORATION

0-VJ-SCHIMD 2

ITEM NO	DESCRIPTION	FROM		TO		REMARKS
		CONN	WITH	CONN	WITH	
23	#22 YEL	TS1-1	42	TS2-8	44	AC LO
25	#22 VIO	TS1-2	42	TS2-7	44	DC LO
24	#14 BLU	TS1-4	43	TS2-6	45	-15
21	#14 BLK	TS1-8	43	TS2-2	45	GND
				TS3-3	45	GND
22	#14 RED	TS1-12	43	TS2-1	45	+5
				TS3-1	45	+5
46	#14 YEL	C1	---	J2	---	H720-E
	#14 VIO	C2	---	TS1-1	---	AC LO
	#22 BLU	C3	---	TS1-2	---	DC LO
	#22 BLK	C4	---	TS1-3	---	-15
47	---	P1	---	J1	---	H720-E
	#18 BLK	P2	---	F1-1	---	FAN (ITEM#7)
	#18 RED	P3	---	F1-2	---	FAN (ITEM#7)



REVISIONS		
CHK	CHANGE NO	REV.

MAGTAPE ASSY, TR79-FA  
SCALE: 1:1 SHEET 2 OF 2  
DUA TR79-FA-0

DIGITAL EQUIPMENT CORPORATION MAYNARD, MASSACHUSETTS			QUANTITY/VARIATION			
PARTS LIST			TR79-FA			
MADE BY	CHECKED	SECTION				
DATE 6 NOV 76	DATE 23 FEB 76	1				
ENG	PROD	ISSUED SECT.				
DATE 24 FEB 76	DATE 5 MAR 76	1				
ITEM NO.	DWG NO. / PART NO.	DESCRIPTION				
1	C-PL-7006501-1-0	BASIC 19" CABINET ASSY	1			
2	3012663	TAPE TRANSPORT, TR79	1			
3	D-UA-H72B-E-B	H72B POWER SUPPLY	1			
4	D-UA-861-C-B	861 POWER CONTROL SUPPLY	1			
5	D-UA-H95B-Q-B	H95B-Q COVER PANEL (10.5IN)	3			
6	D-UA-H95B-P-B	H95B-P COVER PANEL (5.25 IN)	1			
7	D-AD-7007110-0-0	FRAME ASSY H72B-C&D	1			
8	D-UA-H952-A-B	END PANEL ASSY, H952-A	1			
9	1700006-06	POWER CORD (115V), 6 FT	1			
10	D-IA-7407936-1-0	PANEL LOGO	1			
11	D-UA-H95B-CB-B	H95B-C FULL LENGTH DOOR	1			
12	C-UA-BC11A-08	CABLE ASSY (BC11A)	1			
13	DIA-7009156-B-B	MTT CABLE ASSY	1			
14	C-IA-7406748-0-0	FILLER STRIP (FRONT)	1			
15	C-IA-7406749-0-0	FILLER STRIP (REAR)	1			
16	D-MD-7406676-11-0	STANDOFF SUPPORT CHANNEL	2			
17	C-MD-7415371-0-0	PANEL, BLANK FILLER	1			
18	C-UA-TR79-F-B	H791B TCU TO PDP-11 INTERFACE	1			
19	C-PS-1211386-00	THICK LATCH SPACER ASSY	6			
20	C-SC-1209224-00	LATCH MOLDING	8			
21	9107370-00	WIRE #14 AWG STRD (BLK)	A/R			
22	9107370-22	WIRE #14 AWG STRD (RED)	A/R			
TITLE		ASSY NO.	SIZE CODE	NUMBER	REV	ECO NO.
MAGTAPE ASSY, TR79-FA		D-UA-TR79-FA-B	A PL	TR79-FA-B		
SHEET 1 OF 3		DIST.				

DEC FORM DEC 16 (325) 1031 N870  
DPA 110

DIGITAL EQUIPMENT CORPORATION MAYNARD, MASSACHUSETTS			QUANTITY/VARIATION			
PARTS LIST			TR79-FA			
MADE BY	CHECKED	SECTION				
DATE 6 NOV 76	DATE 23 FEB 76	1				
ENG	PROD	ISSUED SECT.				
DATE 24 FEB 76	DATE 5 MAR 76	1				
ITEM NO.	DWG NO. / PART NO.	DESCRIPTION				
45	9007919-00	TERMINAL, QUICK CONNECT, #14-16 AWG	6			
46	C-IA-7012461-0-0	JUMPER, H72B-E (NO.2)	1			
47	C-IA-7012460-0-0	JUMPER, H72B-E (NO.1)	1			
48	9006029-01	SCR PHL PAN HD #6-32 x 1.25LG	2			
49	9007868-00	SPACER, #8 x .75 LG	2			
50	9009246-00	SPACER, #8-32 x .75 LG	4			
51	9006634-00	WASH, INT TOOTH LOCK #8	4			
52	C-MD-7406828-0-0	PANEL COVER	1			
53	9008264-00	MOUNT, CABLE TIE	9			
54	9007032-00	TIE CABLE	A/R			
55	9006073-03	SCR, PHL HD #10-32 x .50 LG	1			
56	9006565	NUT, KEPS #10-32	1			
TITLE		ASSY NO.	SIZE CODE	NUMBER	REV	ECO NO.
MAGTAPE ASSY, TR79-F		D-UA-TR79-FA	A PL	TR79-FA-B		
SHEET 3 OF 3		DIST.				

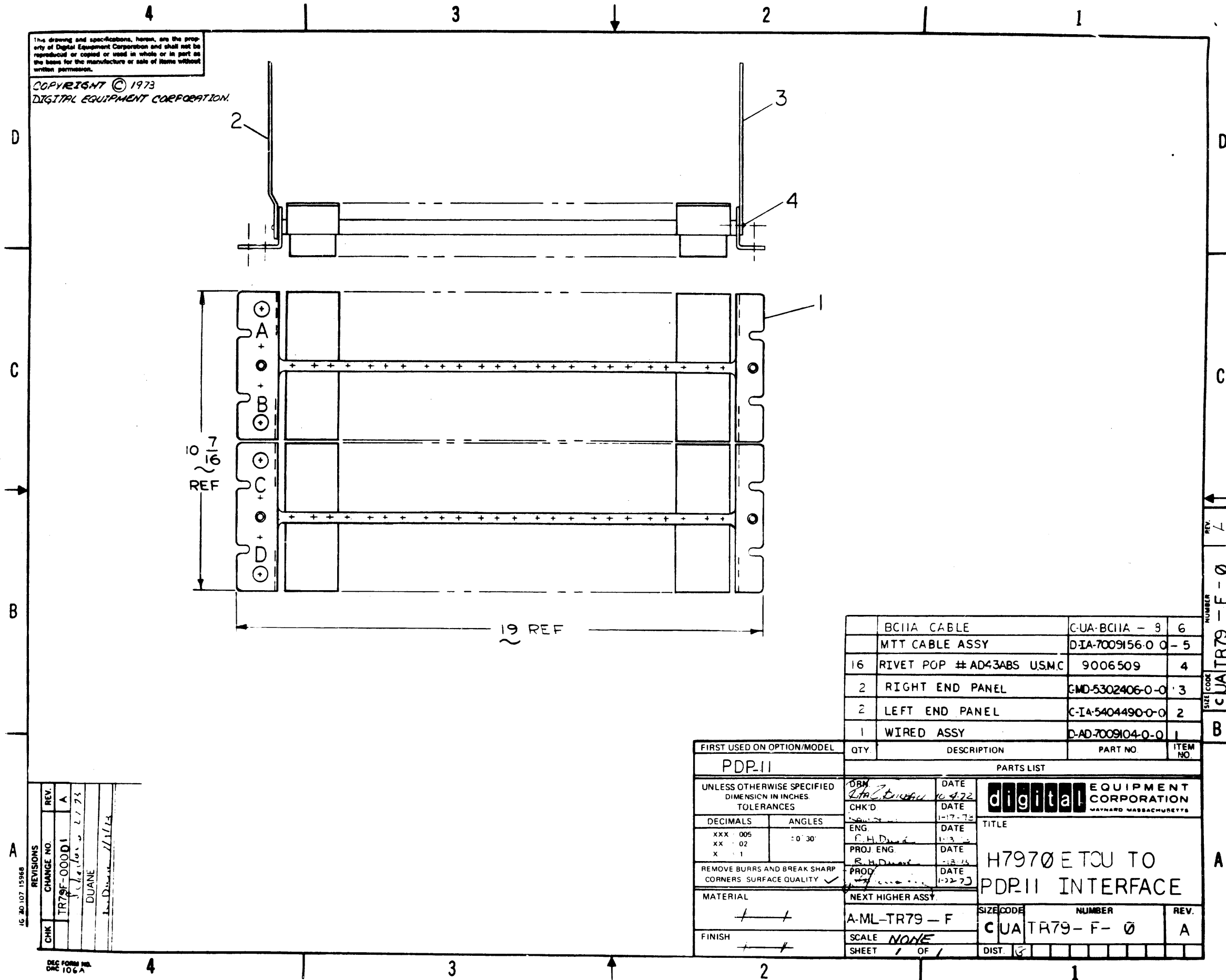
DEC FORM DEC 16 (325) 1031 N870  
DPA 110

DIGITAL EQUIPMENT CORPORATION MAYNARD, MASSACHUSETTS			QUANTITY/VARIATION			
PARTS LIST			TR79-FA			
MADE BY	CHECKED	SECTION				
DATE 6 NOV 76	DATE 23 FEB 76	1				
ENG	PROD	ISSUED SECT.				
DATE 24 FEB 76	DATE 5 MAR 76	1				
ITEM NO.	DWG NO. / PART NO.	DESCRIPTION				
23	9107350-44	WIRE #22 AWG STRD (YEL)	A/R			
24	9107370-66	WIRE #14 AWG STRD (BLU)	A/R			
25	9107350-77	WIRE, #22 AWG STRD (VIO)	A/R			
26	A-DC-7415511-0-0	DECAL, POWER SUPPLY	1			
27	A-DC-7408910-0-0	DECAL, (VR14)	1			
28	9006917-00	TERMINAL BLOCK, 12 TERMS	1			
29	9006900-00	TERMINAL BLOCK, 2 TERMS	1			
30	9006074-03	SCR, PHL TRUSS HD, #10-32 x .62 LG	24			
31	9006075-02	SCR, PHL FLAT HD, #10-32 x .75 LG	12			
32	9007651-00	WASH, EXT TOOTH LOCK #10	22			
33	9007786-00	NUT, SPEED #10-32	34			
34	9007846-01	SCR, PHL PAN HD #8-32 x .69 LG	4			
35	9006037-01	SCR PHL PAN HD #8-32 x .39 LG	4			
36	9107360-00	WIRE, #18 AWG STRD (BLK)	A/R			
37	9107360-22	WIRE, #18 AWG STRD (RED)	A/R			
38	9009003-00	JUMPER BLOCK STRIP	7			
39	C-MD-7408463-12	COVER TERMINAL STRIP (141 & 541)	1			
40	C-MD-7408463-2	COVER TERMINAL STRIP (141 & 541)	1			
41	9007035-00	GROMMET, CATERPILLER	A/P			
42	9007929-01	TERMINAL, RING TOUNGE (RED)	6			
43	9007927-01	TERMINAL, RING TOUNGE (BLU)	2			
44	9007917-00	TERMINAL QUICK CONNECT #18-22 AWG	2			
TITLE		ASSY NO.	SIZE CODE	NUMBER	REV	ECO NO.
MAGTAPE ASSY, TR79-FA		D-UA-TR79-FA-B	A PL	TR79-FA-B		
SHEET 2 OF 3		DIST.				

DEC FORM DEC 16 (325) 1031 N870  
DPA 110

The drawing and specifications, herein, are the property of Digital Equipment Corporation and shall not be reproduced or copied or used in whole or in part as the basis for the manufacture or sale of items without written permission.

COPYRIGHT © 1973  
DIGITAL EQUIPMENT CORPORATION



REV.	A
CHANGE NO.	1
TR79F-0001	
DUANE	
DUANE	

IG 30 107 15568

DEC FORM NO. 106A

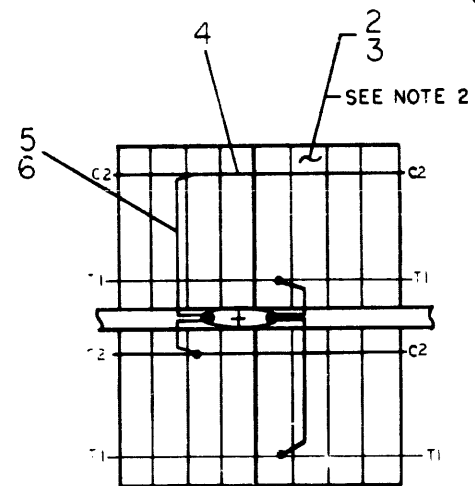
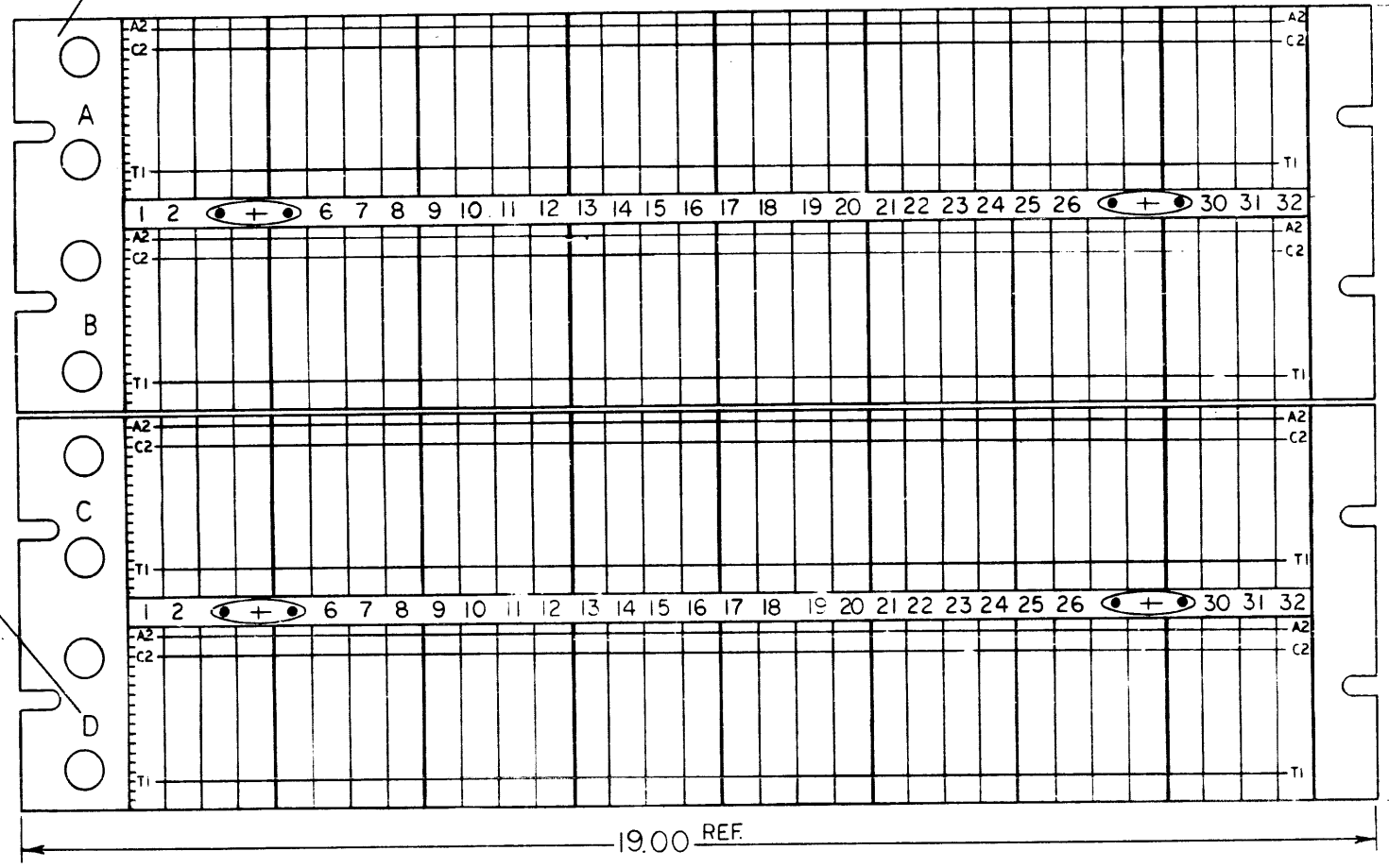
	BC11A CABLE	C-UA-BC11A - 9	6
	MTT CABLE ASSY	D-IA-7009156-0-0	5
16	RIVET POP #AD43ABS U.S.M.C.	9006509	4
2	RIGHT END PANEL	GMD-5302406-0-0	3
2	LEFT END PANEL	C-IA-5404490-0-0	2
1	WIRED ASSY	D-AD-7009104-0-0	1

FIRST USED ON OPTION/MODEL		QTY.	DESCRIPTION	PART NO.	ITEM NO.
PDP-11					
PARTS LIST					
UNLESS OTHERWISE SPECIFIED DIMENSION IN INCHES TOLERANCES		DATE	digital EQUIPMENT CORPORATION MAYNARD MASSACHUSETTS		
DECIMALS	ANGLES	DATE	TITLE		
xxx .005	:0' 30'	1-17-72	H7970 ETCU TO PDP-11 INTERFACE		
xx .02		1-13-72	SIZE CODE NUMBER REV.		
x .1		1-13-72	CUATR79-F-0 A		
REMOVE BURRS AND BREAK SHARP CORNERS SURFACE QUALITY		DATE	DIST.		
		1-22-72			
MATERIAL		NEXT HIGHER ASSY.			
FINISH		A-ML-TR79-F			
		SCALE NONE			
		SHEET 1 OF 1			

The drawing and specifications, herein, are the property of Digital Equipment Corporation and shall not be reproduced or copied in whole or in part or the same for the manufacture or sale of items without written permission.

DIGITAL EQUIPMENT CORPORATION

- NOTES:
1. CONNECTIONS ON ITEMS 4 & 5 TO BE LOCATED & SOLDERED AT MINIMUM PRACTICAL HEIGHT ABOVE BLOCKS
  2. USE YELLOW WIRE (ITEM #2) FOR MACHINE WRAPPED AND BLUE WIRE (ITEM #3) FOR HAND WRAPPED.
  3. THE ATTACHING BARS ARE HELD TO SIDES OF PANEL BY WASHERS (ITEM #1) AND SCREWS (ITEM #2).



DETAIL A  
4 PLACES

QTY.	DESCRIPTION	PART NO.	ITEM NO.
	AIR COMPRESS-O-CARTON	9905016-4	16
	REF PACKAGING INSTRUCTIONS	3700040-0-0	15
	DECAL LOGIC ASSY.	A-DC-74188101	14
4	WASHER FLAT	9002669	13
4	SCR PPH 10-32x1/2	9006073-01	12
1	BAR ATTACHING	5508153-02	11
1	BAR ATTACHING	5508153-01	10
	REF AWT REVISION STATUS	A-WT-7009104-0	9
	REF WIRE LIST	K-NL-TR79-F-721	8
	AIR LOGIC FRAME DECALS	A-DC-70063700	7
	AIR #22 TUBING TEFLON WHITE	9107255-09	6
	AIR #22 AWG BUS WIRE	9107260-01	5
	AIR BUS STRIP	900342B	4
	AIR #30 AWG SOLID KYNAR WIRE, BLU.	9105740-66	3
	AIR #30 AWG SOLID KYNAR WIRE, YEL.	9105740-44	2
2	H911 MTS PANEL	D-AD-5407700	1

FIRST USED ON OPTION/MODEL PDP 11	DATE 10-2-73	PARTS LIST	
UNLESS OTHERWISE SPECIFIED DIMENSION IN INCHES TOLERANCES	CHK'D. DATE 1-17-73	TITLE WIRED ASS'Y.	
DECIMALS ANGLES XXX . 005 10° 30'	ENG. DATE 1-18-73	NUMBER DAD7009104 C-C A	
REMOVE BURRS AND BREAK SHARP CORNERS SURFACE QUALITY	PROJ. ENG. DATE 1-18-73	REV. A	
MATERIAL ++	DATE 1-22-73	SHEET 1 OF 1	
FINISH ++	NEXT HIGHER ASSY. C-UA-TR79-F-0	DIST.	

This drawing and specifications, herein, are the property of Digital Equipment Corporation and shall not be reproduced or copied or used in whole or in part as the basis for the manufacture or sale of items without written permission.

DRAWING NUMBER	INIT	AUTOMATIC WIRE TESTER (AWT) REVISION STATUS													REV.			
	REL																	D
K-WL-TR79-F-T21	*	B	C	C														
D-AD-7009104-0-0	A	B	C	C														
	*	*	*	A														

REVISIONS		CHANGE NO.	REV.
CHK	—	TR79F-00002	B
		ORIGINATED	
	1.	TR79F-00003	C
		3 November 83-5-75	
		S KOZIOL	
		1/11/84 Kozol	2/10/85
		TR79-F-00005	D

DRN M. HUNTER	DATE 10-14-74	digital EQUIPMENT CORPORATION MAYNARD MASSACHUSETTS
CHK'D <i>Shibata</i>	DATE 10-15-74	
ENG <i>S. Kozol</i>	DATE 10-17-74	TITLE  TF79-F  AWT REVISION STATUS
PROJ. ENG. <i>S. Kozol</i>	DATE 10-17-74	
PROD. <i>S. Kozol</i>	DATE 10-17-74	
FIRST USED ON		SIZE CODE A WT
SCALE ---		NUMBER 009104-0
SHEET 1 OF 1		REV D

DRA 123  
DEC 16 (325) 1097-N174

This drawing and specifications, herein, are the property of Digital Equipment Corporation and shall not be reproduced or copied or used in whole or in part as the basis for the manufacture or sale of items without written permission.

SIZE CODE B MU TR79-F-T01  
 NUMBER TR79-F-T01  
 REV. D

	1	2	3	4	5	6	7	8	9	10	11	12	13	14	15	16	17	18	19	20	21	22	23	24	25	26	27	28	29	30	31	32			
A	M 9-00	M 9-00	M 9-00	M 784	M 85	M 3	M 784	M 2	M 300	M 3	M 3	M 2	M 7	M 600	M 67	M 200	M 26	M 1	M 200	M 600	M 600	M 200	M 7	M 500	M 600	M 2	M 1	M 1	M 1	M 600	M 600	M 9-12	M 9-12		
B	9-00	9-00		000	000	000	000	000	000	000	000	000	000	000	000	000	000	000	000	000	000	000	000	000	000	000	000	000	000	000	000	000	000	CABLE	CABLE
C	0000	0000	0000	0400	0400	0000	0000	0000	0000	0000	0000	0000	0000	0000	0000	0000	0000	0000	0000	0000	0000	0000	0000	0000	0000	0000	0000	0000	0000	0000	0000	0000	0000	0000	0000
D								0000	0000	0000	0000	0000	0000	0000	0000	0000	0000	0000	0000	0000	0000	0000	0000	0000	0000	0000	0000	0000	0000	0000	0000	0000	0000	0000	0000

CHK	CHANGE NO.	REV.
1	TR79F-0001	A
J. Charter 6-27-73		
DUANE		
R. Duane 7/9/73		
2	TR79F-00002	B
S. Koziol 10-14-74		
S. Koziol		
Steve Koziol 10-17-74		
3	TR79F-00003	C
S. Manders 3-5-75		
S. Koziol		
Steve Koziol 3/12/75		
4	TR79F-00004	D
J. Charter 12-30-75		
J. MC INTYRE		
1/15/76		

FIRST USED ON OPTION/MODEL  
 PDP-11

DRN.	DATE
<i>A. S. ...</i>	1/16/73
CHK'D.	DATE
<i>R. H. Duane</i>	1-17-73
ENG.	DATE
<i>R. H. Duane</i>	1-18-73
PROJ. ENG.	DATE
<i>R. H. Duane</i>	1-18-73
PROP.	DATE
<i>A. S. ...</i>	1-22-73
NEXT HIGHER ASSEMBLY	
A-ML-TR79-F	
SCALE	NCNE
SHEET	OF

**DIGITAL EQUIPMENT CORPORATION**  
 MAYNARD, MASSACHUSETTS

TITLE  
**MODULE UTILIZATION**

SIZE CODE B MU TR79-F-T01  
 NUMBER TR79-F-T01  
 REV. D

DEC FORM NO. DRB 109



**DIGITAL EQUIPMENT CORPORATION**  
MAYNARD, MASSACHUSETTS  
**PARTS LIST**

MADE BY FRATICELLI  
DATE 1-15-73  
ENG R. H. Duval  
DATE 1-18-73

CHECKED RAIMONDI  
DATE 1-16-73  
PROD *[Signature]*  
DATE 1-22-73

SECTION 1  
ISSUED SECT.

ITEM NO.	DWG NO. / PART NO.	DESCRIPTION	SIZE CODE	NUMBER	REV.	ECO NO.
	M105	ADDRESS SELECTOR	A PL	TR79-F-T01	D	00004
	M111	INVERTER				
	M112	NOR GATE				
	M113	10 - 2 INPUT NAND GATES				
	M115	8 - 3 INPUT NAND GATES				
	M117	6 - 4 INPUT NAND GATES				
	M119	3 - 8 INPUT NAND GATES				
	M121	AND - NOR GATES				
	M149	9 X 12 NAND WIRED OR MATRIX				
	M162	PARITY CIRCUIT				
	M163	DUAL BINARY TO DECIMAL DECODER				
	M203	SET RESET FLIP-FLOP MODULE				
	M204	COUNTER BUFFER				
	M205	5 "D" FLIP FLOPS				
	M206	SIX FLIP FLOPS (3-3 CONFIGURATION)				
	M207	FLIP FLOPS (3-3 CONFIGURATION)				
	M302	DUAL DELAY MULTIVIBRATOR				
	M304	ONE SHOT DELAY				
	M306	INTERGRATING ONE SHOT				
	M606	PULSE GENERATOR				
	M617	6 - 4 INPUT NOR BUFFERS				
	M622	BUS DRIVERS				

TITLE: MODULE UTILIZATION

ASSY NO. B-MU-TR79-F-T01

SHEET 1 OF 2

SIZE CODE: A PL

DIST.

DEC FORM DEC 16 (325)-1031-N870  
DRA 110

**DIGITAL EQUIPMENT CORPORATION**  
MAYNARD, MASSACHUSETTS  
**PARTS LIST**

MADE BY FRATICELLI  
DATE 1-15-73  
ENG R. H. Duval  
DATE 1-18-73

CHECKED RAIMONDI  
DATE 1-16-73  
PROD *[Signature]*  
DATE 1-22-73

SECTION 1  
ISSUED SECT.

ITEM NO.	DWG NO. / PART NO.	DESCRIPTION	SIZE CODE	NUMBER	REV.	ECO NO.
	M783	UNIBUS DRIVERS	A PL	TR79-F-T01	D	00004
	M784	UNIBUS DRIVERS				
	M784	UNIBUS RECEIVERS				
	M795	WC AND CMA				
	M796	UNIBUS MASTER CONTROL				
	M798	UNIBUS DRIVERS				
	M906	CABLE TERMINATOR				
	M912	I/O BUS CONNECTOR CARD				
	M919	BUS CONNECTOR				
	M1103	2 INPUT AND GATES				
	M1307	6 - 4 INPUT AND GATES				
	M7821	INTERRUPT CONTROL				
	G736	JUMPER MODULE				

TITLE: MODULE UTILIZATION

ASSY NO. B-MU-TR79-F-T01

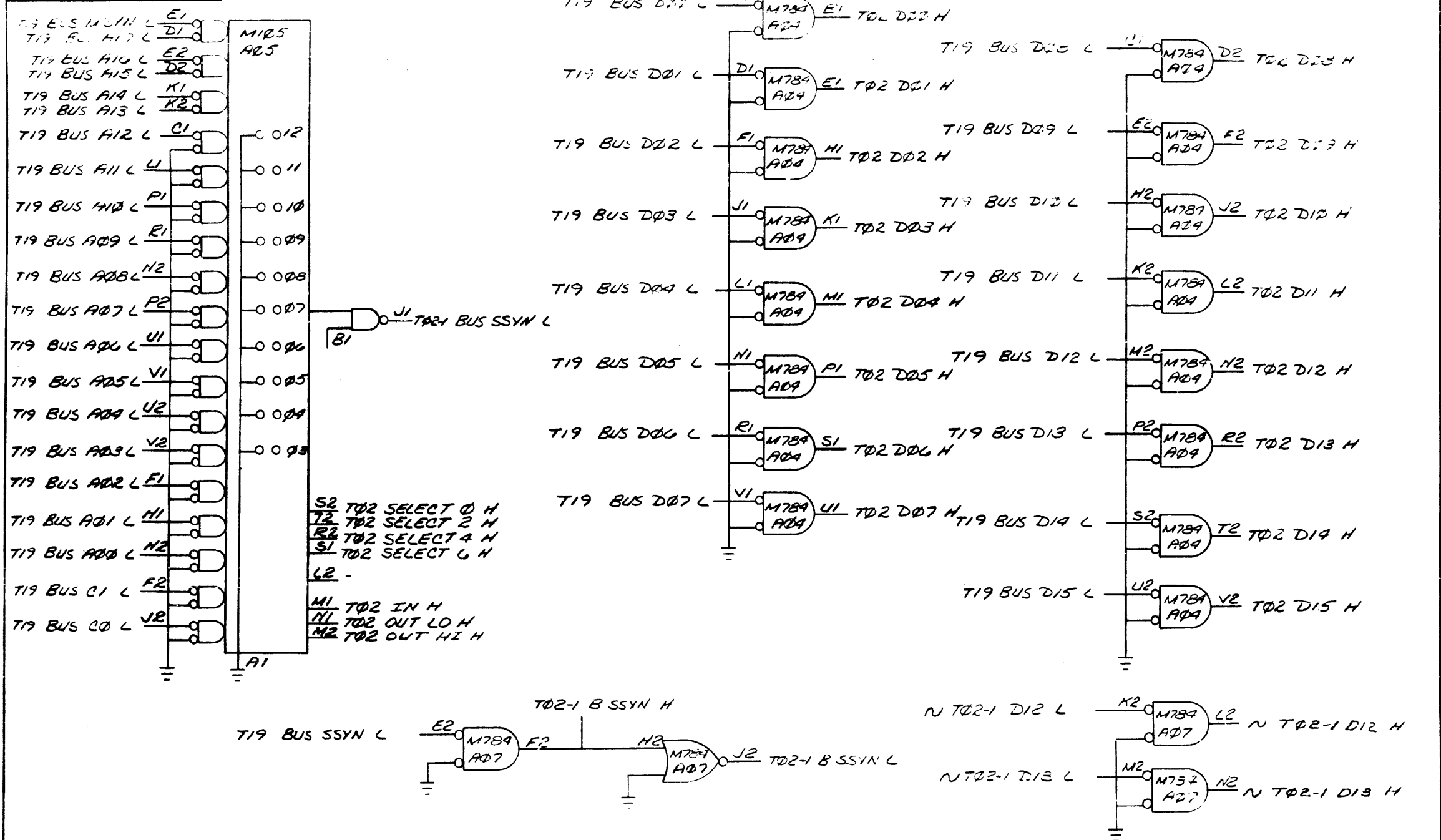
SHEET 2 OF 2

SIZE CODE: A PL

DIST.

DEC FORM DEC 16 (325)-1031-N870  
DRA 110

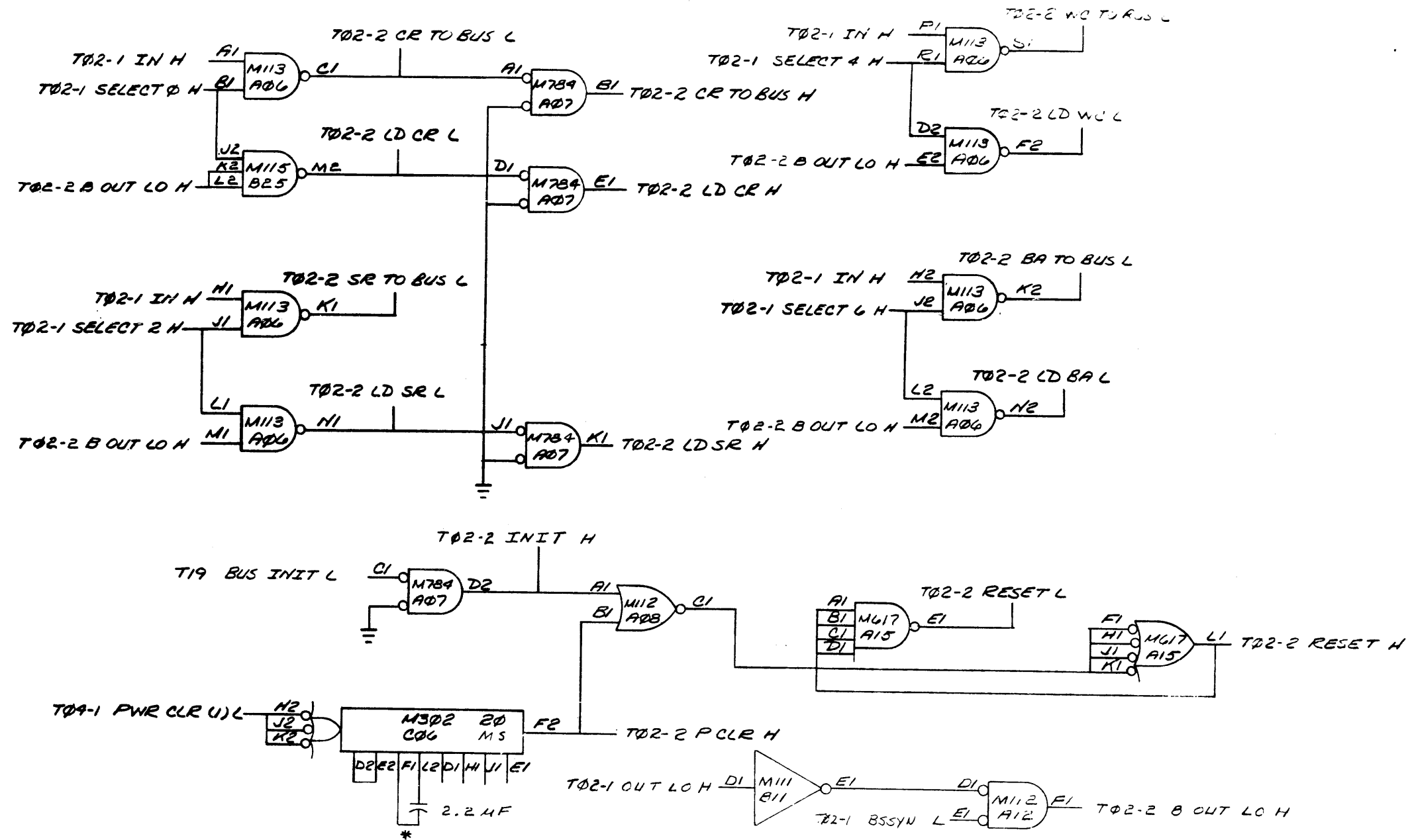
This drawing and specifications herein are the property of Digital Equipment Corporation and shall not be reproduced or copied or used in whole or in part as the basis for the manufacture or sale of items without written permission.



REV. NO.	NO.
1	1
2	2
3	3
4	4
5	5
6	6
7	7
8	8
9	9
10	10
11	11
12	12
13	13
14	14
15	15

DATE	DATE	digital EQUIPMENT CORPORATION MAYNARD, MASSACHUSETTS		
CHK'D.	DATE			
ENG.	DATE	TITLE ADDRESS SELECTION		
PROJ. ENG.	DATE			
PROD.	DATE			
NEXT HIGHER ASSY.				
A-ML-TR79-F		SIZE CODE	NUMBER	REV.
SCALE		C	BS TR79-F-T02	C
SHEET 1 OF 2		DIST.		

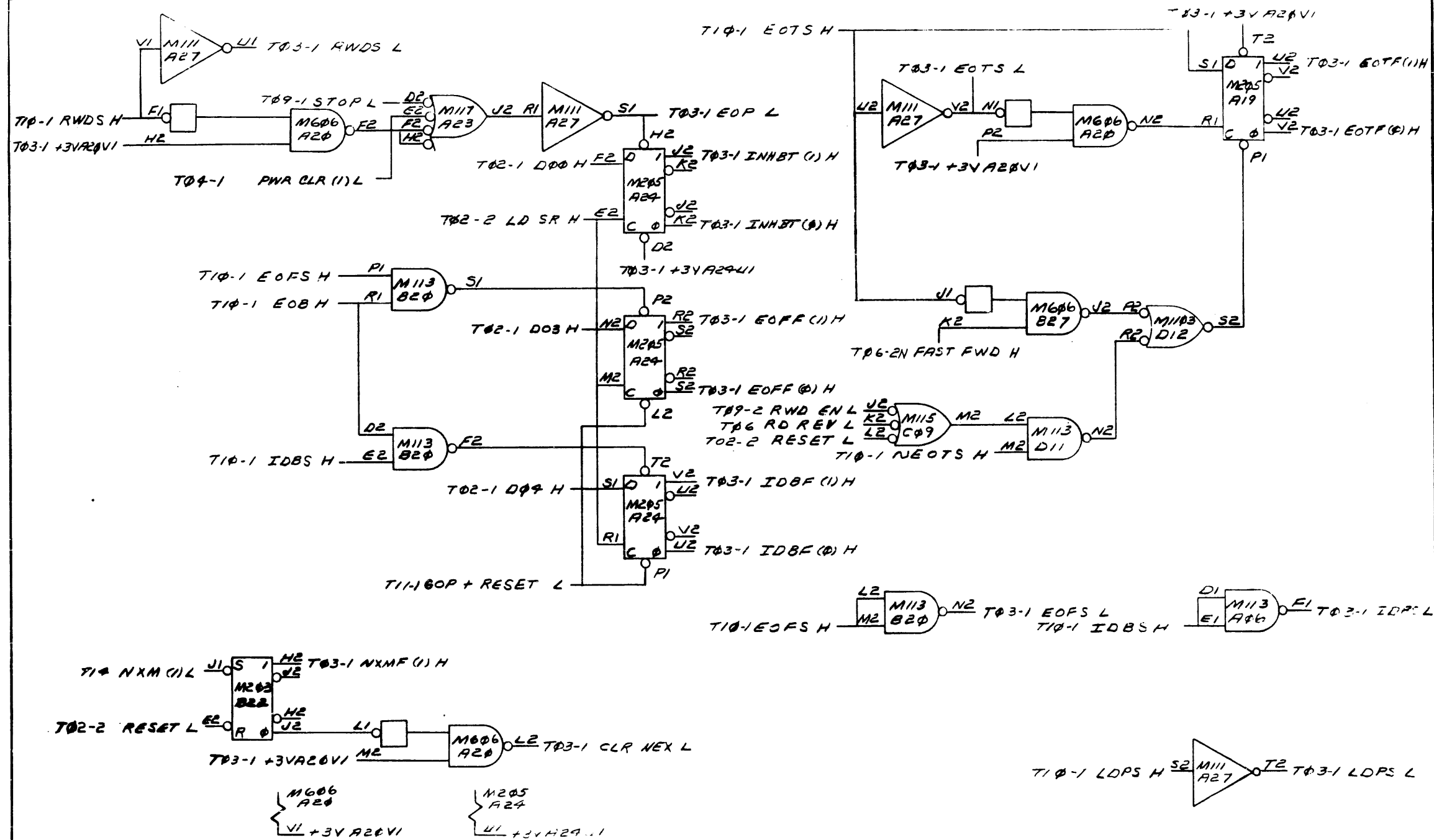
This drawing and specifications, herein, are the property of Digital Equipment Corporation and shall not be reproduced or copied or used in whole or in part as the basis for the manufacture or sale of items without written permission.



\* EXTERNAL COMPONENT

FIRST USED ON OPTION/MOD	DRN	DATE	<b>digital</b> EQUIPMENT CORPORATION MAYNARD, MASSACHUSETTS
PDP-11	DATE	TITLE	
	DATE	ADDRESS SELECTION	
	DATE		
	DATE		
	DATE		
	DATE		
SCALE	SIZE CODE	NUMBER	REV.
SHEET 2 OF 2	CBS	TR79 - F - T02	C

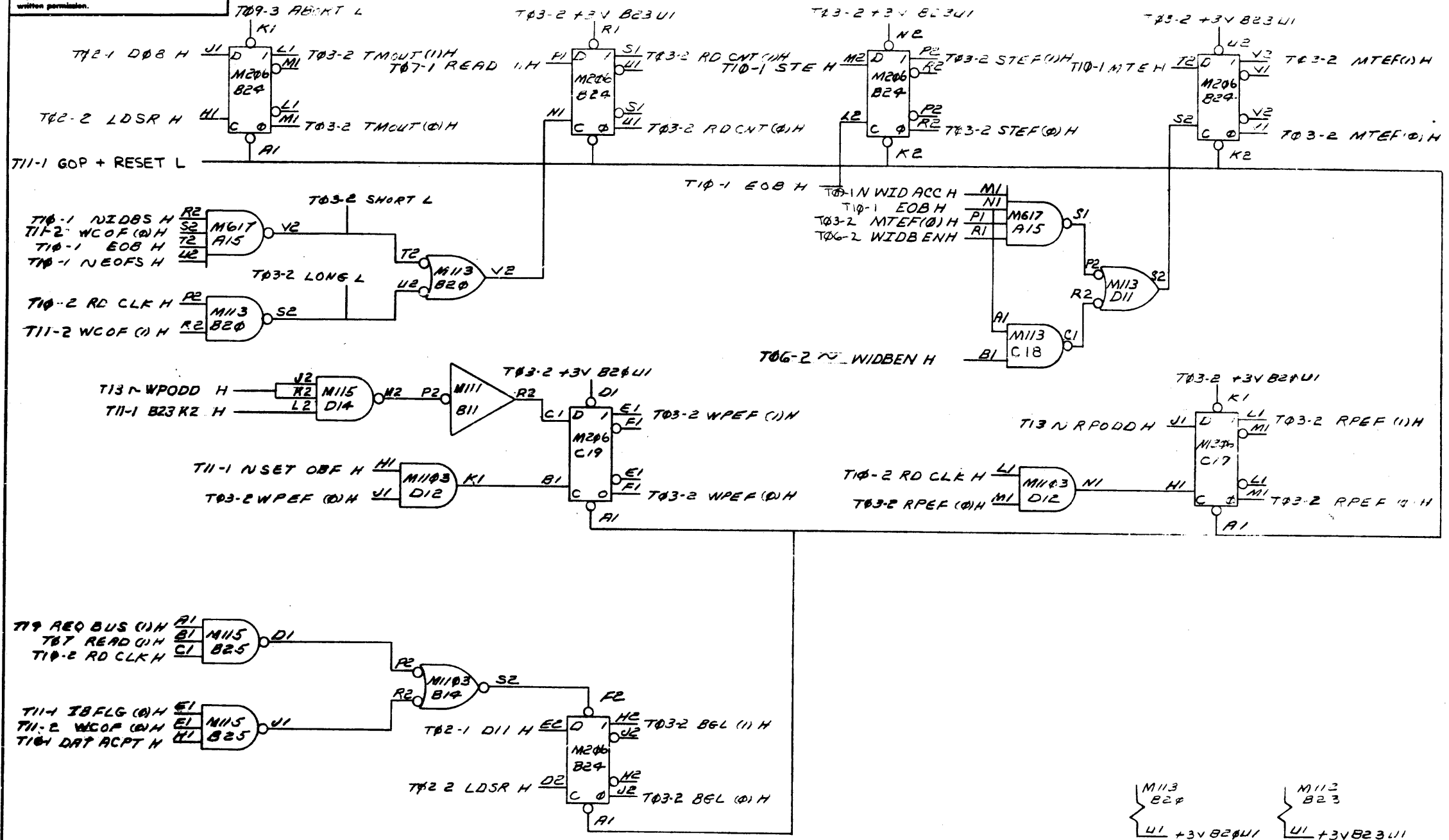
This drawing and specifications, herein, are the property of Digital Equipment Corporation and shall not be reproduced or copied or used in whole or in part as the basis for the manufacture or sale of items without written permission.



REV.	CHANGE NO.	DATE	BY
A	0001	7-19-73	DJANE
B	0002	7-19-73	R. D. Dwyer
C	0003	10-17-74	S. KOZLOV
D	0004	3-5-78	S. KOZLOV
			Steve Kozlov
			J. McIntyre
			J. McIntyre

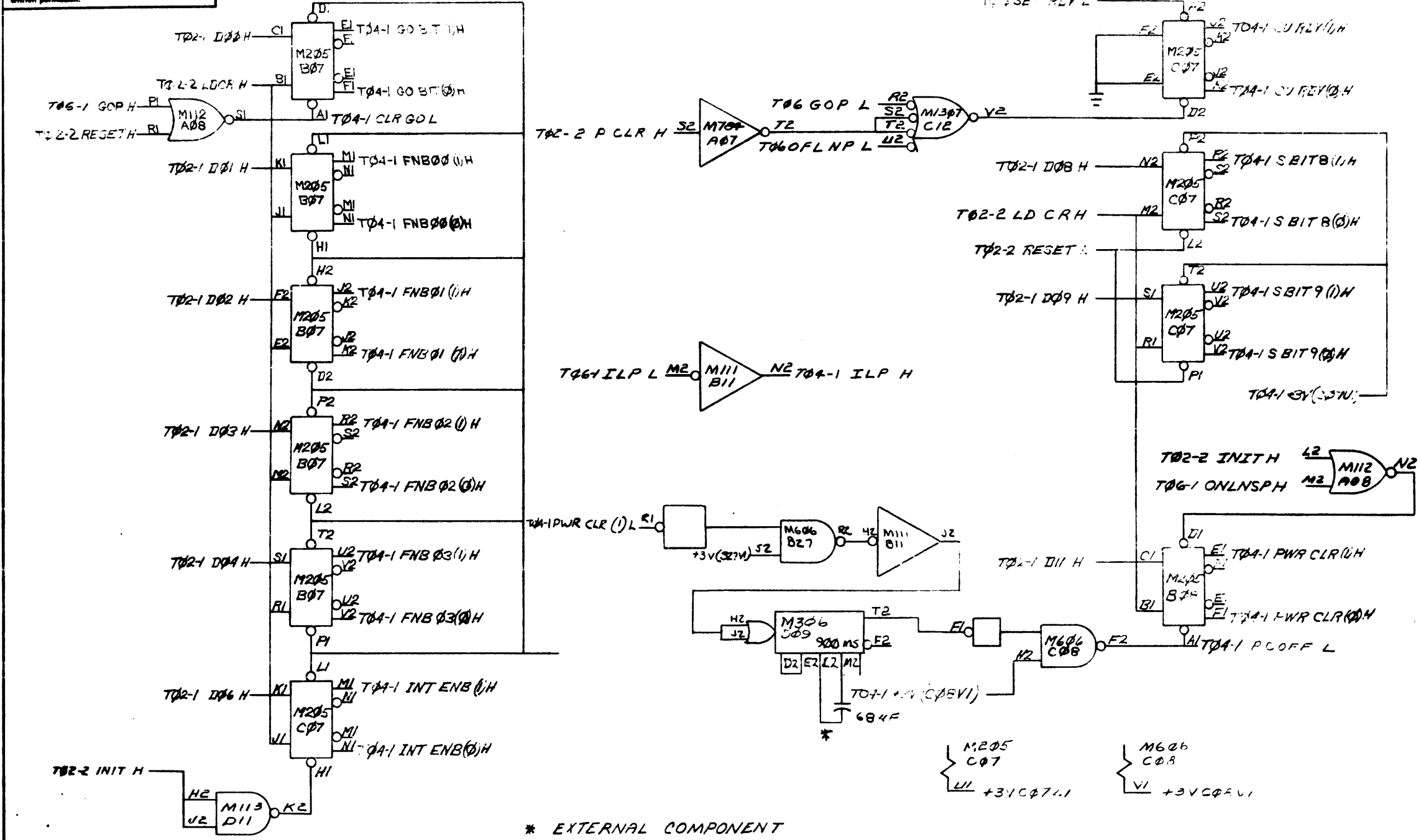
DRN. 142	DATE 11-13-73	 <b>digital EQUIPMENT CORPORATION</b> MAYNARD, MASSACHUSETTS
CHK'D. [Signature]	DATE 1-17-74	
ENG. [Signature]	DATE 1-16-74	
PROJ. ENG. [Signature]	DATE 1-13-74	
PROP. [Signature]	DATE 1-13-74	
FIRST USED ON PDP-11		
TITLE		<b>STATUS REGISTER</b>
SCALE NONE	SIZE CODE C BS	
SHEET 1 OF 2	NUMBER TR79-F-T03	
	DIST.	REV. D

This drawing and specifications, herein, are the property of Digital Equipment Corporation and shall not be reproduced or copied or used in whole or in part as the basis for the manufacture or sale of items without written permission.



DRN PDP-11	DATE 1-18-73	digital EQUIPMENT CORPORATION MAYNARD, MASSACHUSETTS
CHK'D. R.H. Diver	DATE 1-17-73	
ENG. R.H. Diver	DATE 1-18-73	TITLE
PROJ. ENG. R.H. Diver	DATE 1-18-73	STATUS REGISTER
PROB. R.H. Diver	DATE 1-22-73	
FIRST USED ON PDP-11		SIZE CODE C BS
SCALE NONE		NUMBER TR 79-F-T03
SHEET 2 OF 2		REV. D

This drawing and specifications, herein, are the property of Digital Equipment Corporation and shall not be reproduced or copied or used in whole or in part as the basis for the manufacture or sale of items without written permission.

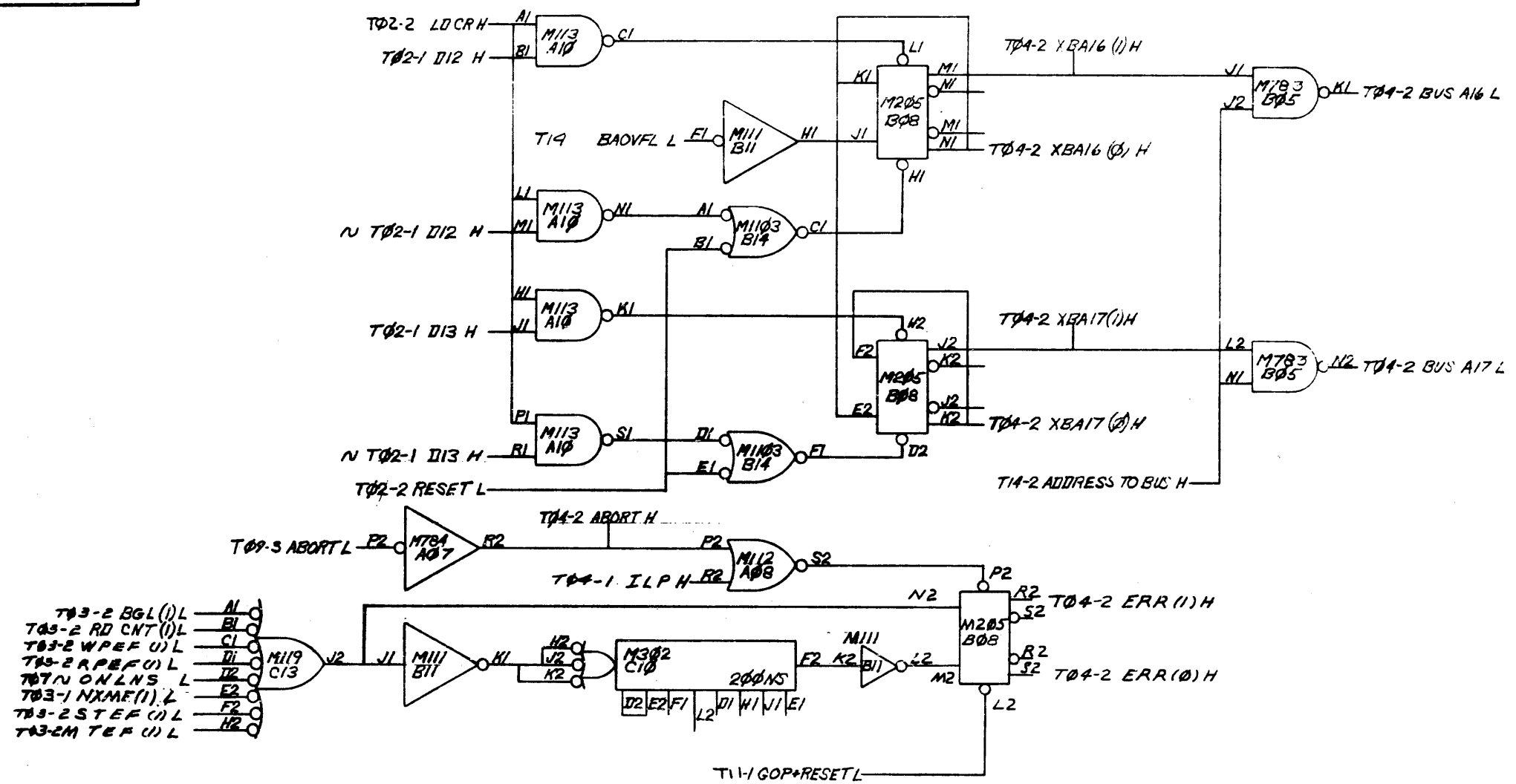


\* EXTERNAL COMPONENT

6-17-71	7/1/73	8-11-73	11-14-74	12-17-74	3-5-75	12-30-75	15-11-76
W. J. ...	P. ...	R. ...	S. ...	S. ...	S. ...	J. ...	J. ...

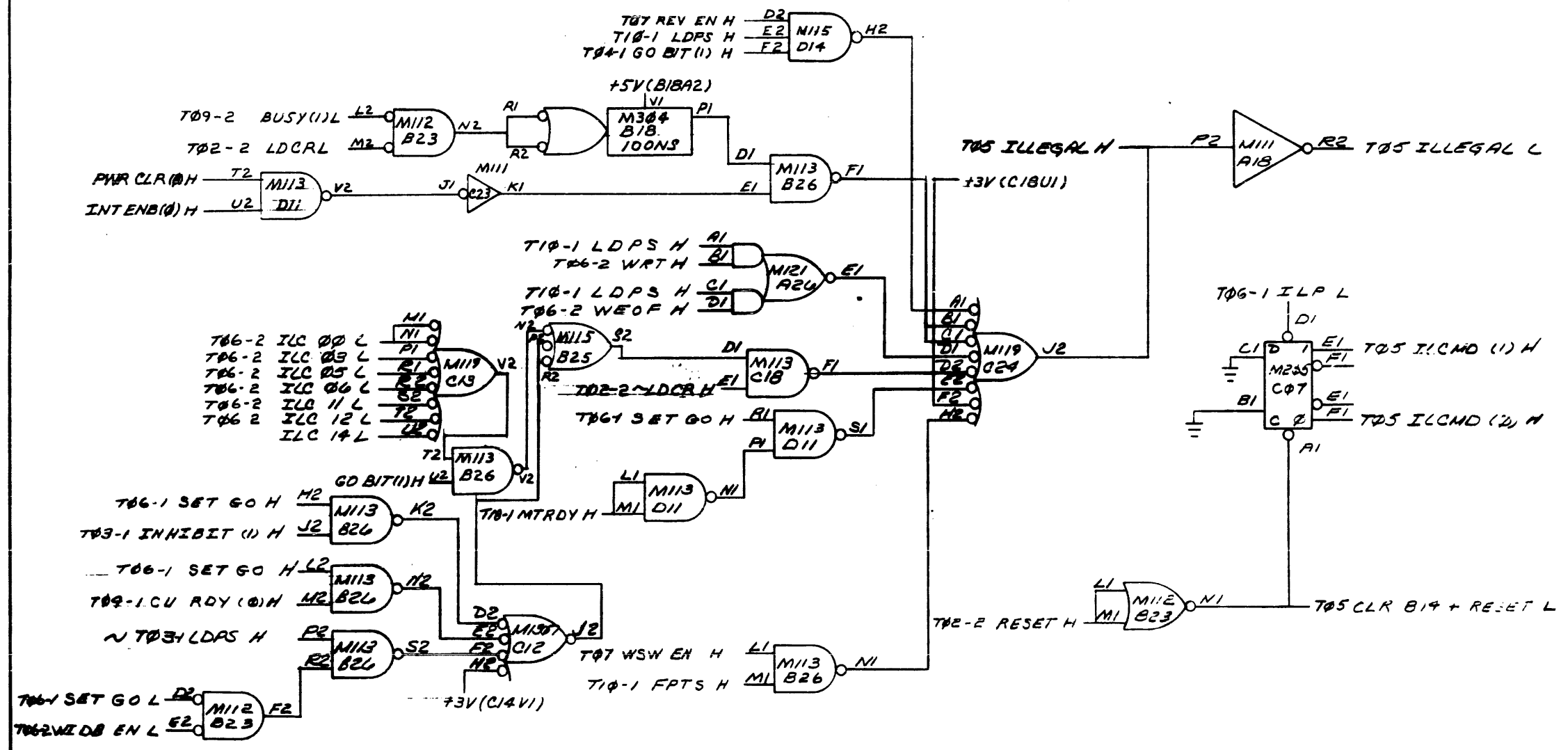
DRN R. Barriore	DATE 9-25-72	digital EQUIPMENT CORPORATION MAYNARD, MASSACHUSETTS
CHK'D.	DATE	
ENG. R. H. Du...	DATE 1-13-73	TITLE CONTROL REGISTER
PROJ. ENG. R. H. Du...	DATE 1-18-73	SIZE CODE C BS
PROD.	DATE 1-22-73	NUMBER TR79-F-T04
FIRST USED ON PDP-11		REV. D
SCALE NONE		DIST.
SHEET 1	OF 2	

This drawing and specifications, herein, are the property of Digital Equipment Corporation and shall not be reproduced or copied in whole or in part or the basis for the manufacture or sale of items without written permission.



DRN. R Barilone	DATE 9-25-72	<b>digital</b> EQUIPMENT CORPORATION MAYNARD, MASSACHUSETTS
CHK'D. Raimondo	DATE 1-17-73	
ENG. R.H. Duman	DATE 1-18-73	TITLE
PROJ. ENG. R.H. Duman	DATE 1-18-73	CONTROL REGISTER
PROD. R.H. Duman	DATE 1-22-73	
FIRST/USED ON PDP-11		SIZE CODE NUMBER REV.
SCALE NONE		C BSTR79-F-T04 D
SHEET 2 OF 2		DIST.

This drawing and specifications, herein, are the property of Digital Equipment Corporation and shall not be reproduced or copied or used in whole or in part as the basis for the manufacture or sale of items without written permission.

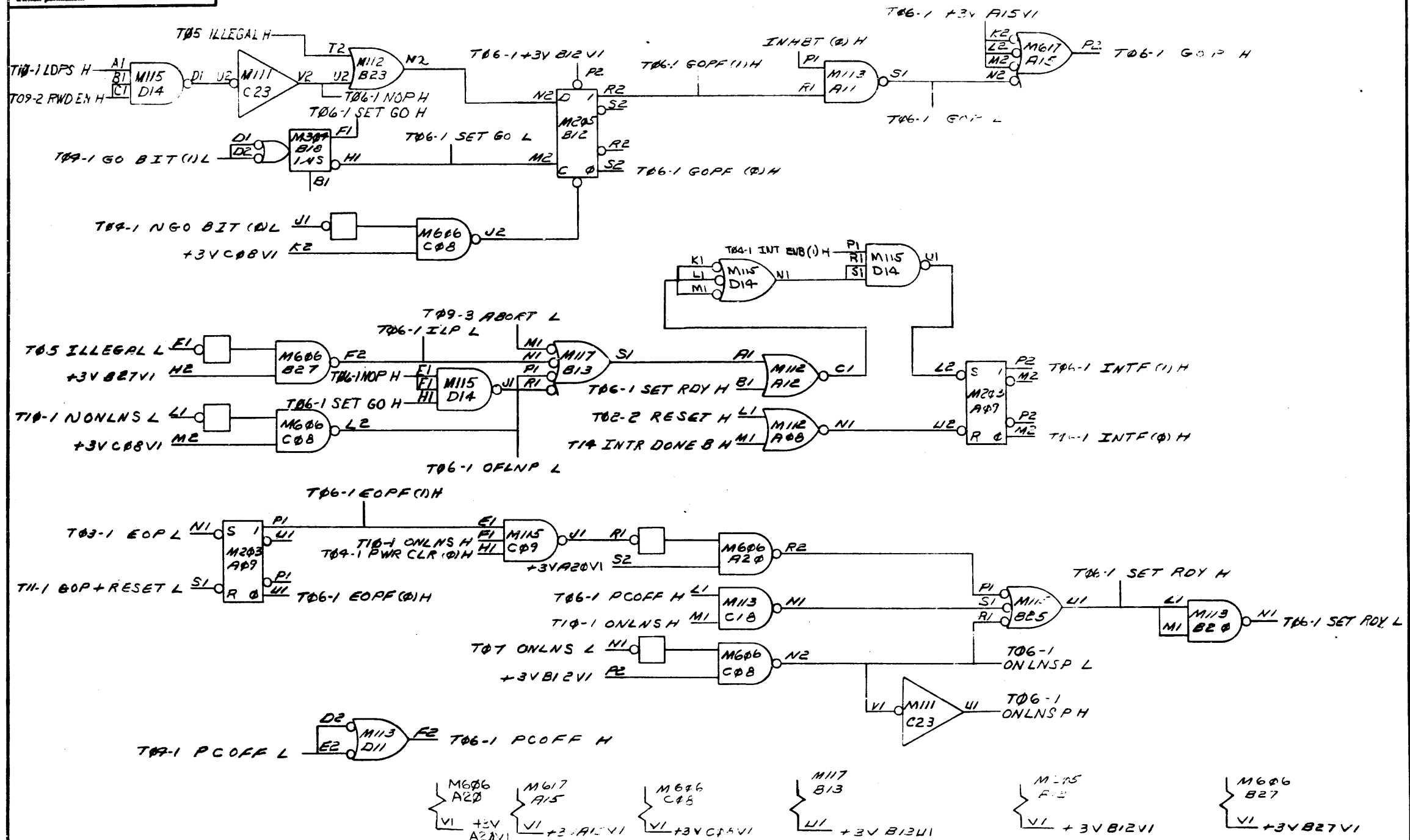


REVISED	DATE	BY
1	1-17-72	DIANE
2	10-14-74	S. KOZLO
3	11-17-74	Steve Kozlo
4	12-30-75	J. MCINTYRE
5	1-22-75	J. MCINTYRE

DRN	DATE	 <b>digital</b> EQUIPMENT CORPORATION MAYNARD, MASSACHUSETTS
CHK'D.	DATE	
ENG.	DATE	
PROJ. ENG.	DATE	
APP'D.	DATE	
FIRST USED ON	DATE	
PDP-11		TITLE
SCALE NONE		ILLEGAL COMMANDS
SHEET 1 OF 1	SIZE CODE	NUMBER
	C BS	TR79-F-T05
	DIST.	REV.
		C



This drawing and specifications, herein, are the property of Digital Equipment Corporation and shall not be reproduced or copied or used in whole or in part as the basis for the manufacture or sale of items without written permission.

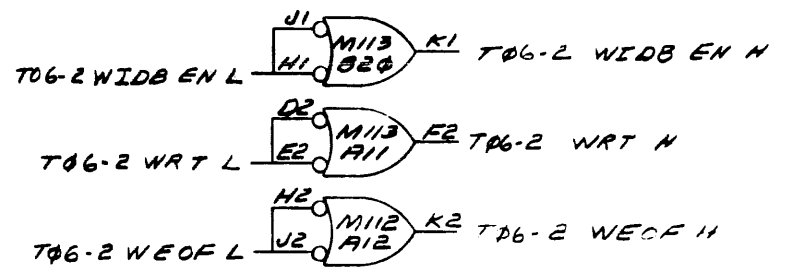
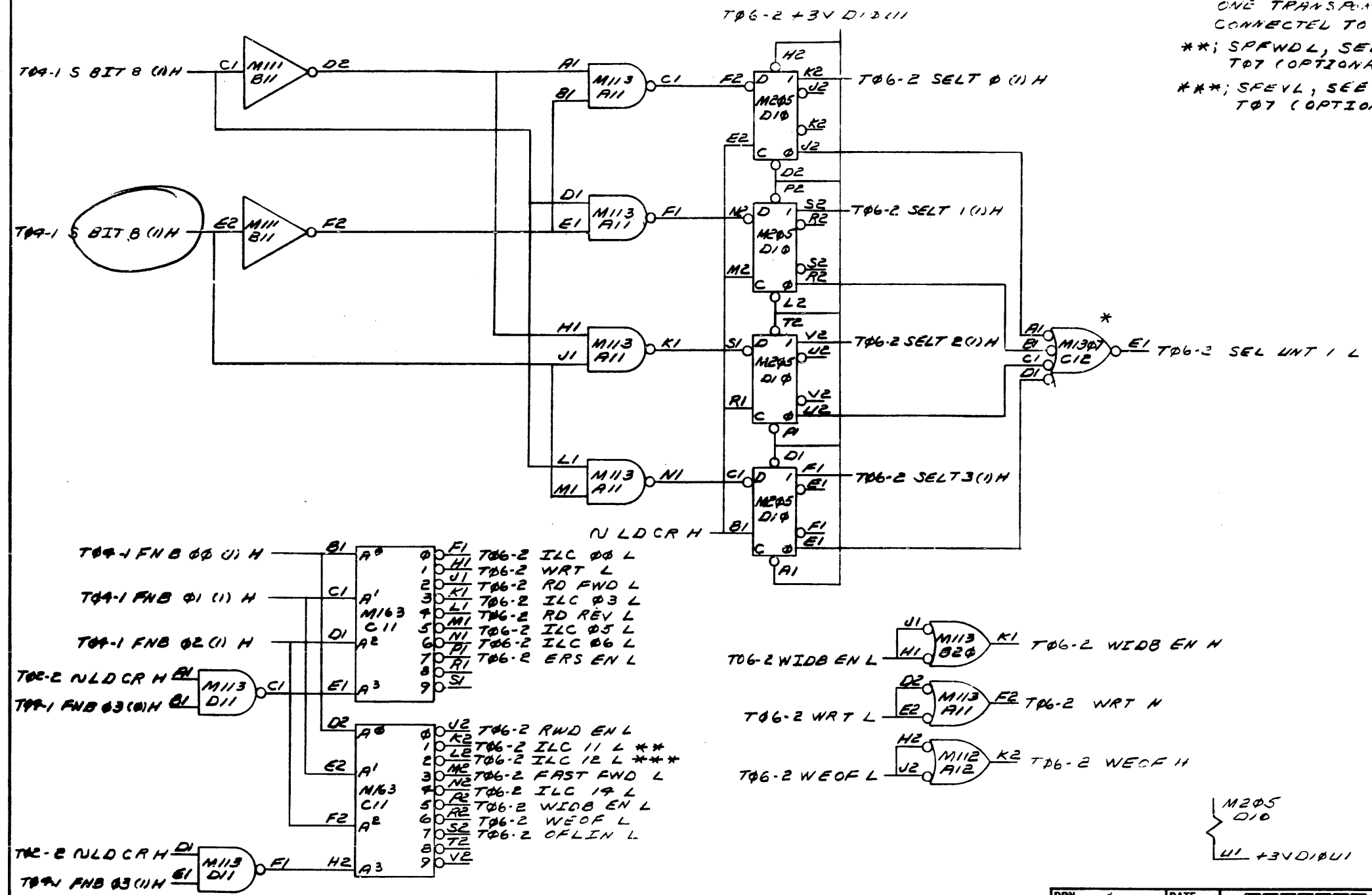


REV	DATE	BY	CHK'D
1	1-18-74	S. K. DUNN	S. K. DUNN
2	1-18-74	S. K. DUNN	S. K. DUNN
3	1-18-74	S. K. DUNN	S. K. DUNN
4	1-18-74	S. K. DUNN	S. K. DUNN
5	1-18-74	S. K. DUNN	S. K. DUNN
6	1-18-74	S. K. DUNN	S. K. DUNN
7	1-18-74	S. K. DUNN	S. K. DUNN
8	1-18-74	S. K. DUNN	S. K. DUNN
9	1-18-74	S. K. DUNN	S. K. DUNN
10	1-18-74	S. K. DUNN	S. K. DUNN
11	1-18-74	S. K. DUNN	S. K. DUNN
12	1-18-74	S. K. DUNN	S. K. DUNN
13	1-18-74	S. K. DUNN	S. K. DUNN
14	1-18-74	S. K. DUNN	S. K. DUNN
15	1-18-74	S. K. DUNN	S. K. DUNN
16	1-18-74	S. K. DUNN	S. K. DUNN
17	1-18-74	S. K. DUNN	S. K. DUNN
18	1-18-74	S. K. DUNN	S. K. DUNN
19	1-18-74	S. K. DUNN	S. K. DUNN
20	1-18-74	S. K. DUNN	S. K. DUNN

DRN	DATE	digital EQUIPMENT CORPORATION		
CHK'D	DATE			
ENG.	DATE	TITLE		
PROJ. ENG.	DATE			
FRPD	DATE	CONTROL FUNCTIONS		
FIRST USED ON	DATE			
SCALE	NONE	SIZE CODE	NUMBER	REV.
SHEET	1 OF 2	C BS	TR79-F-T06	D

This drawing and specifications, herein, are the property of Digital Equipment Corporation and shall not be reproduced or copied or used in whole or in part as the basis for the manufacture or sale of items without written permission.

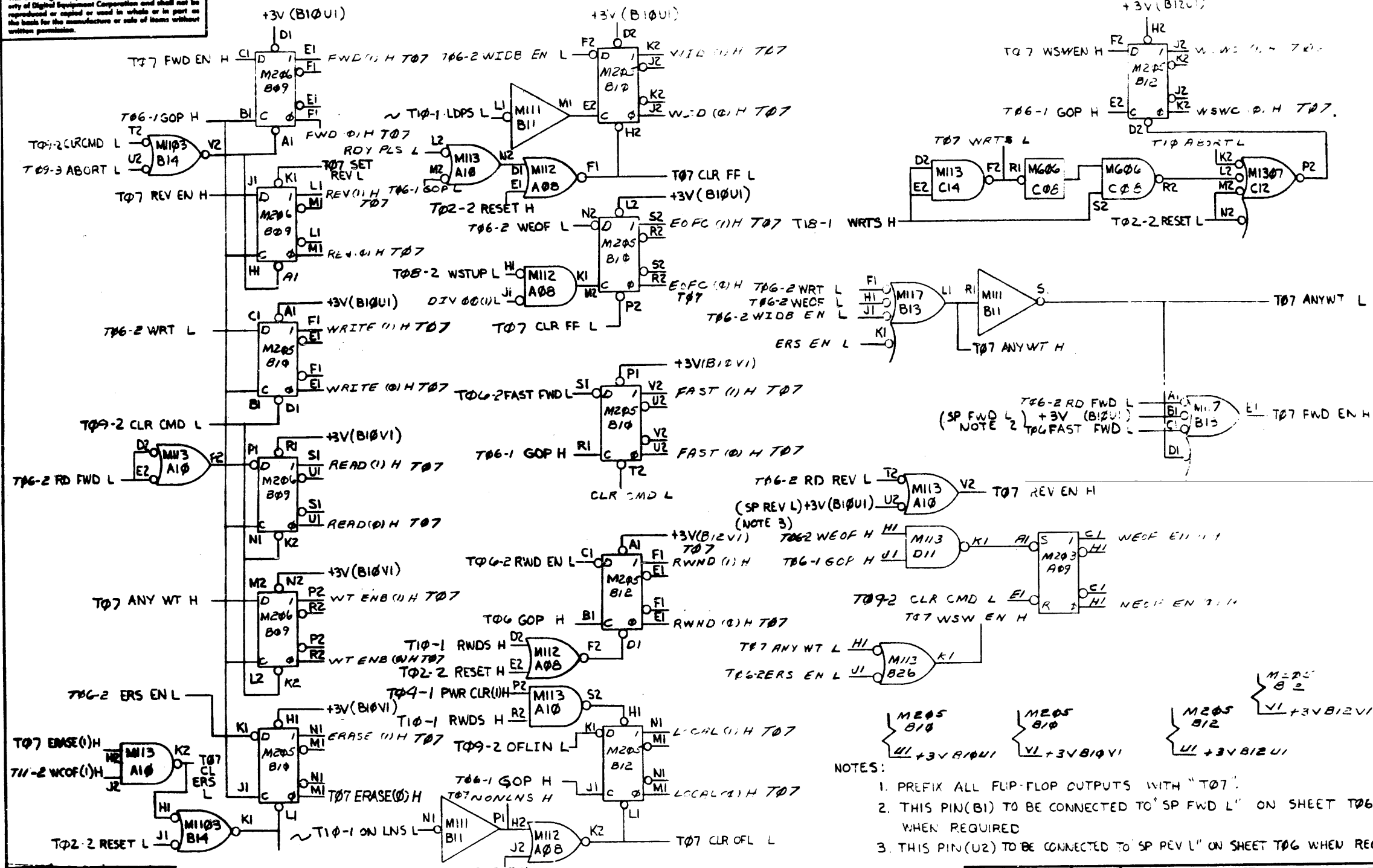
NOTES:  
 \*; THIS GATE IS TO BE REMOVED IF MORE THAN ONE TRANSPORT IS CONNECTED TO THE TCU.  
 \*\*; SPFWDL, SEE SHEET T07 (OPTIONAL)  
 \*\*\*; SFEVL, SEE SHEET T07 (OPTIONAL)



M205  
 D10  
 U1 +3V D10111

DRN. 100-1000	DATE 1-18-72	<b>digital</b> CORPORATION MAYNARD, MASSACHUSETTS		
CHK'D. K. B. ...	DATE 1-17-72			
ENG. R. H. D...	DATE 1-18-72	TITLE <b>CONTROL FUNCTIONS</b>		
PROJ. ENG. R. H. D...	DATE 1-18-72			
APP'D. R. H. D...	DATE 1-22-72			
FIRST USED ON PDP-11				
SCALE NONE		SIZE CODE C	NUMBER BS1R79-F-T06	REV. D
SHEET 2 OF 2		DIST.		

This drawing and specifications, herein, are the property of Digital Equipment Corporation and shall not be reproduced or copied or used in whole or in part as the basis for the manufacture or sale of items without written permission.

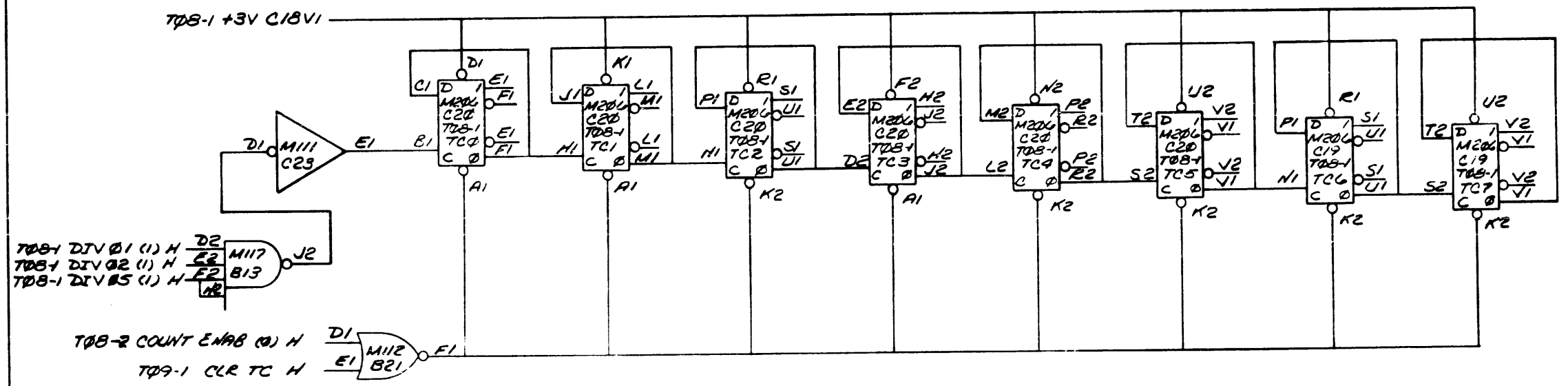
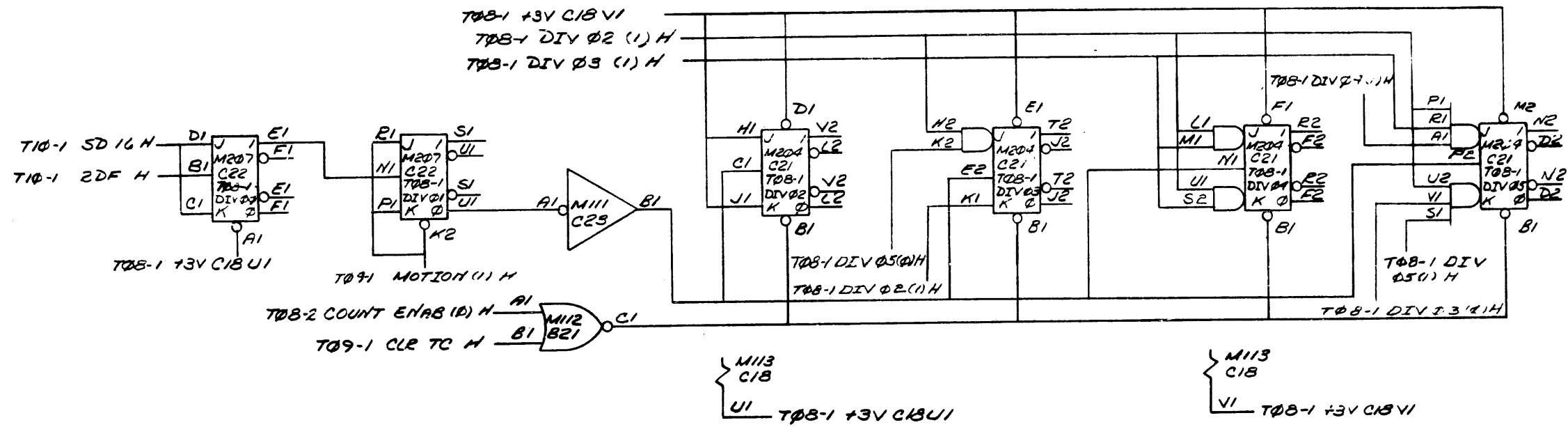


- NOTES:
1. PREFIX ALL FLIP-FLOP OUTPUTS WITH "T07".
  2. THIS PIN (B1) TO BE CONNECTED TO "SP FWD L" ON SHEET T06 WHEN REQUIRED.
  3. THIS PIN (U2) TO BE CONNECTED TO "SP REV L" ON SHEET T06 WHEN REQ'D.

R. DUANE  
 7/15/73  
 2/17/79-00004  
 J. C. ...  
 J. ...  
 J. ...

DRM. A. LE FORT	DATE 9-15-72	digital EQUIPMENT CORPORATION MAYNARD, MASSACHUSETTS
CHK'D.	DATE 1-17-73	
ENG. R. H. Duane	DATE 1-13-73	TITLE MTT COMMANDS
PROJ. ENG. R. H. Duane	DATE 1-18-73	
PROB.	DATE 2-22-73	
FIRST USED ON		
PDP-11	SIZE CODE	NUMBER
SCALE	C BSTR 79-F-T07	REV. B
SHEET 1 OF 1	DIST.	

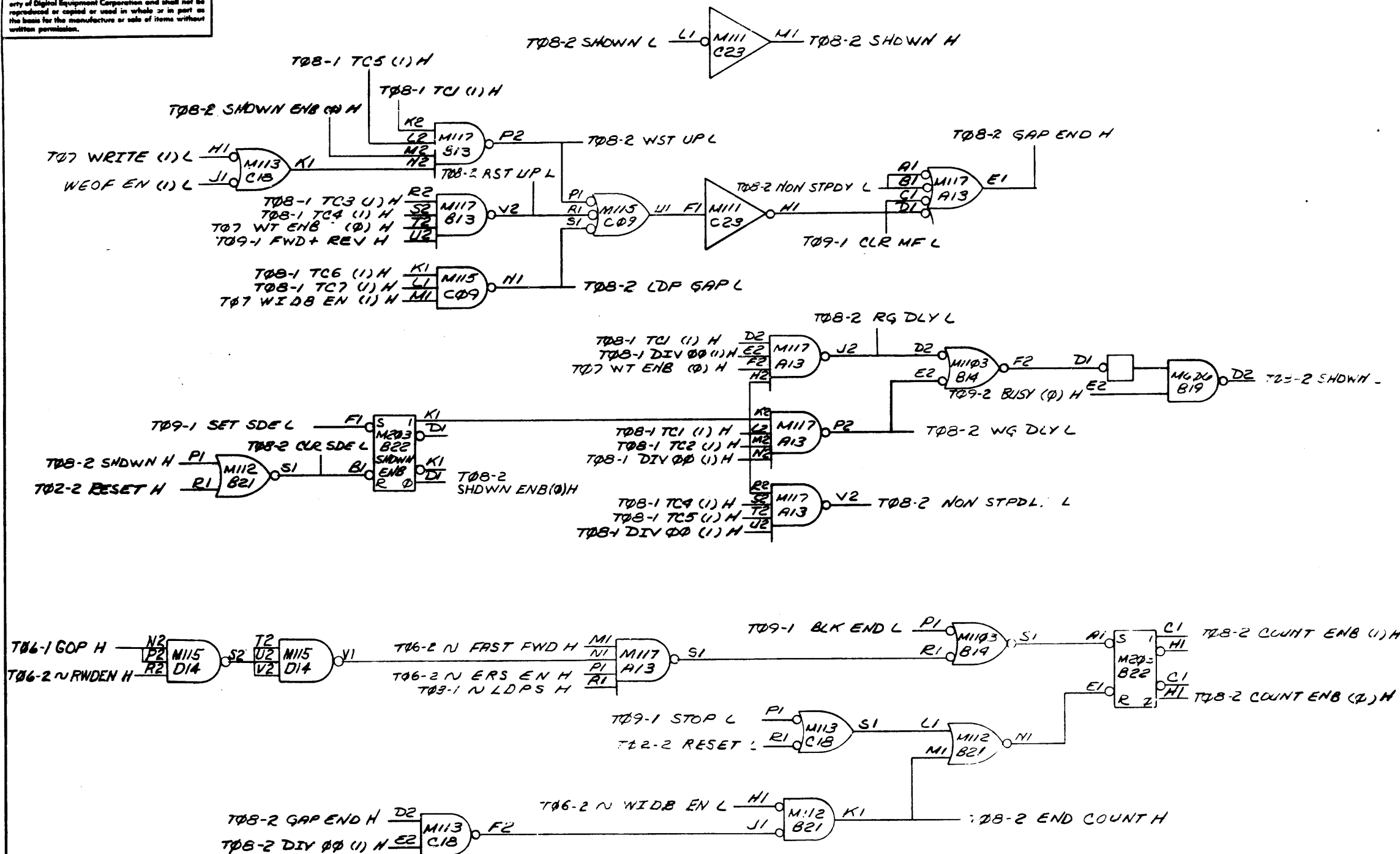
This drawing and specifications, herein, are the property of Digital Equipment Corporation and shall not be reproduced or copied or used in whole or in part as the basis for the manufacture or sale of items without written permission.



REV.	DATE	BY	CHK'D.
A	1-17-73	A	
B	1-18-73	B	
C	1-18-73	C	
D	1-21-73	D	
E	1-22-73	E	

DRN.	DATE	<b>digital</b> EQUIPMENT CORPORATION MAYNARD, MASSACHUSETTS		
CHK'D.	DATE			
ENG.	DATE	TITLE <b>GAP TIMING</b>		
PROJ. ENG.	DATE			
PROD.	DATE			
FIRST USED ON	DATE			
SCALE		SIZE CODE	NUMBER	REV.
SHEET 1 OF 2		C	BSTR79-F-T08	C
		DIST.		

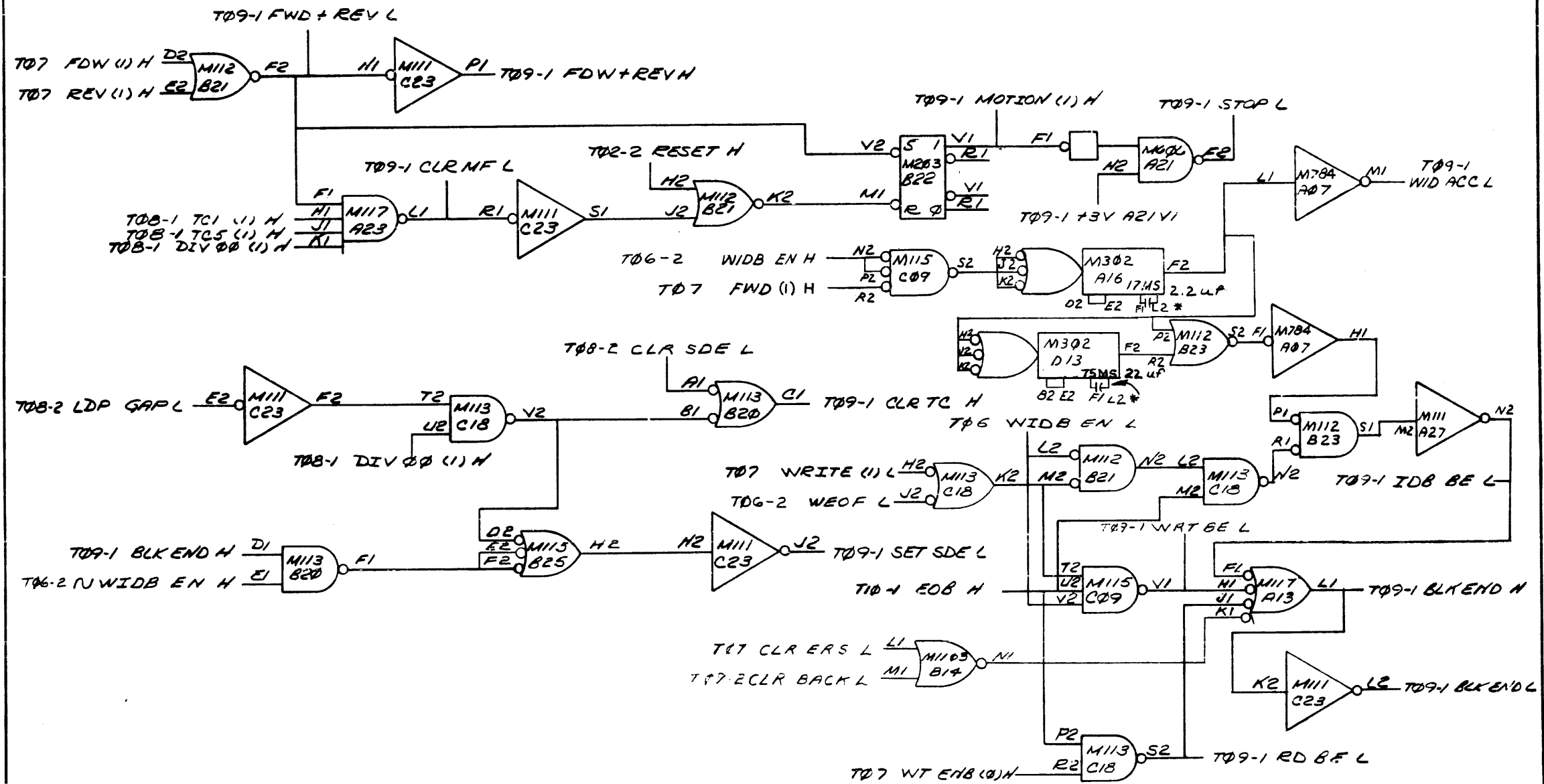
This drawing and specifications, herein, are the property of Digital Equipment Corporation and shall not be reproduced or copied or used in whole or in part as the basis for the manufacture or sale of items without written permission.



DRS: <i>K.E.C.</i>	DATE	<b>digital</b> EQUIPMENT CORPORATION MAYNARD, MASSACHUSETTS
CHK'D.	DATE	
ENG. <i>R.H. Deane</i>	DATE <i>1-12-73</i>	TITLE <b>GAP TIMING</b>
PROJ. ENG. <i>R.H. Deane</i>	DATE <i>1-12-73</i>	
PROD. <i>R.H. Deane</i>	DATE <i>1-22-73</i>	
FIRST USED ON <b>PDP-11</b>		
SCALE <i>NONE</i>	SIZE CODE <b>C BS</b>	NUMBER <b>TR79-F-T08</b>
SHEET <b>2</b> OF <b>2</b>	DIST.	REV. <b>C</b>

This drawing and specifications, herein, are the property of Digital Equipment Corporation and shall not be reproduced or copied or used in whole or in part as the basis for the manufacture or sale of items without written permission.

M604  
A21  
VI T09-1 + 3V A21 VI



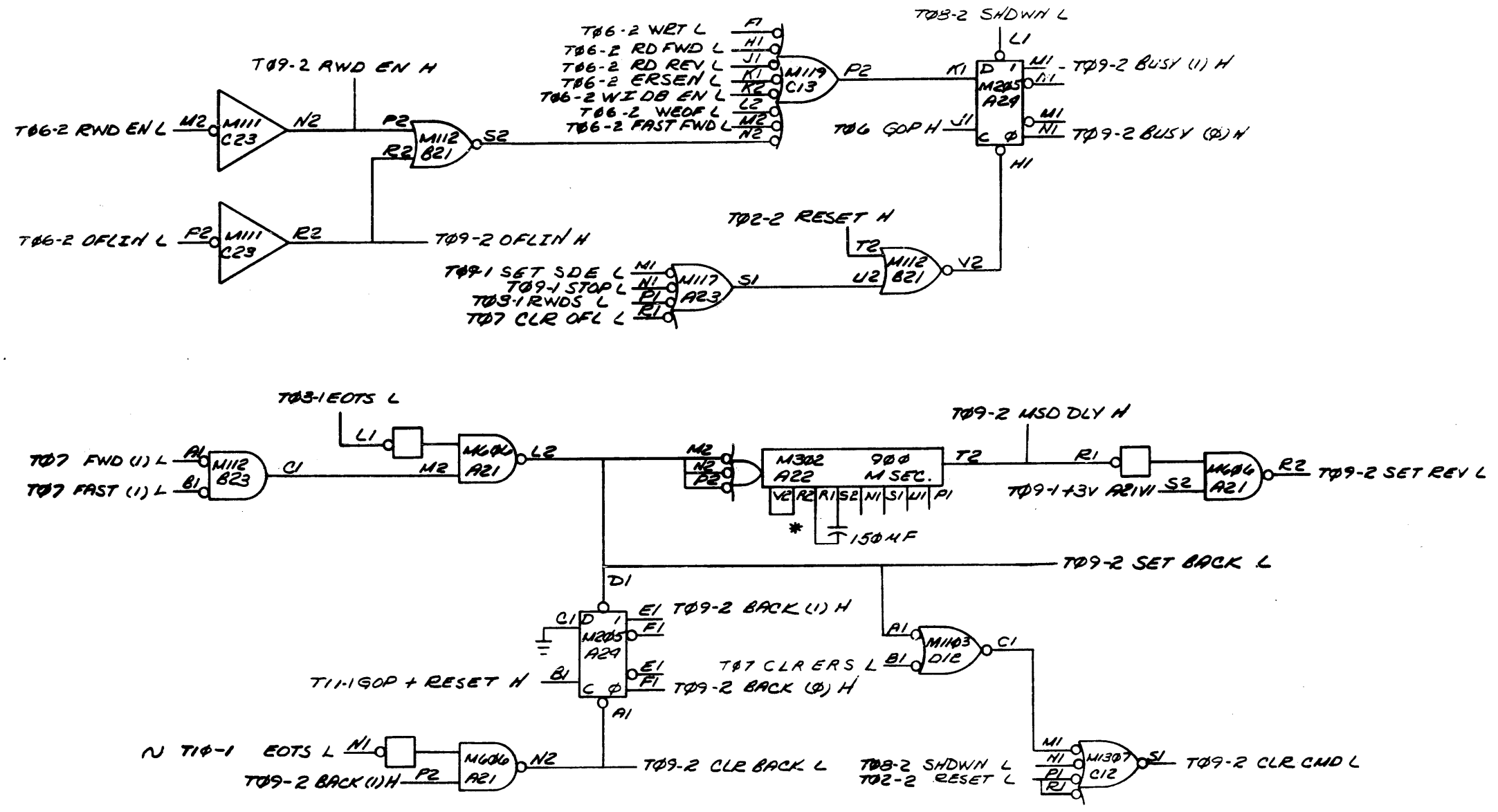
\* EXTERNAL COMPONENT

REVISIONS	CHANGE NO.	REV.
	1	A
	2	B
	3	C
	4	D

J. CHARLTON 6-27-71  
 DUANE  
 R. DUNN 7/17/73  
 TR79F-00002  
 S. KOZIOL 11-18-74  
 S. KOZIOL  
 S. KOZIOL 10-17-74  
 S. KOZIOL 3-16-75  
 S. KOZIOL 3/10/75  
 TR79F-00004  
 J. CHARLTON 12-30-75  
 J. MCINTYRE  
 S. KOZIOL 12-15-76

DRN	DATE	digital EQUIPMENT CORPORATION MAYFORD, MASSACHUSETTS
CHK'D	DATE	
ENG.	DATE	
PROJ. ENG.	DATE	
PROD.	DATE	
FIRST USED ON		TITLE
PDP-11		MOTION CONTROL
SCALE	1:1	SIZE CODE
SHEET 1 OF 3		NUMBER
		TR79-F-T09
		REV.
		D

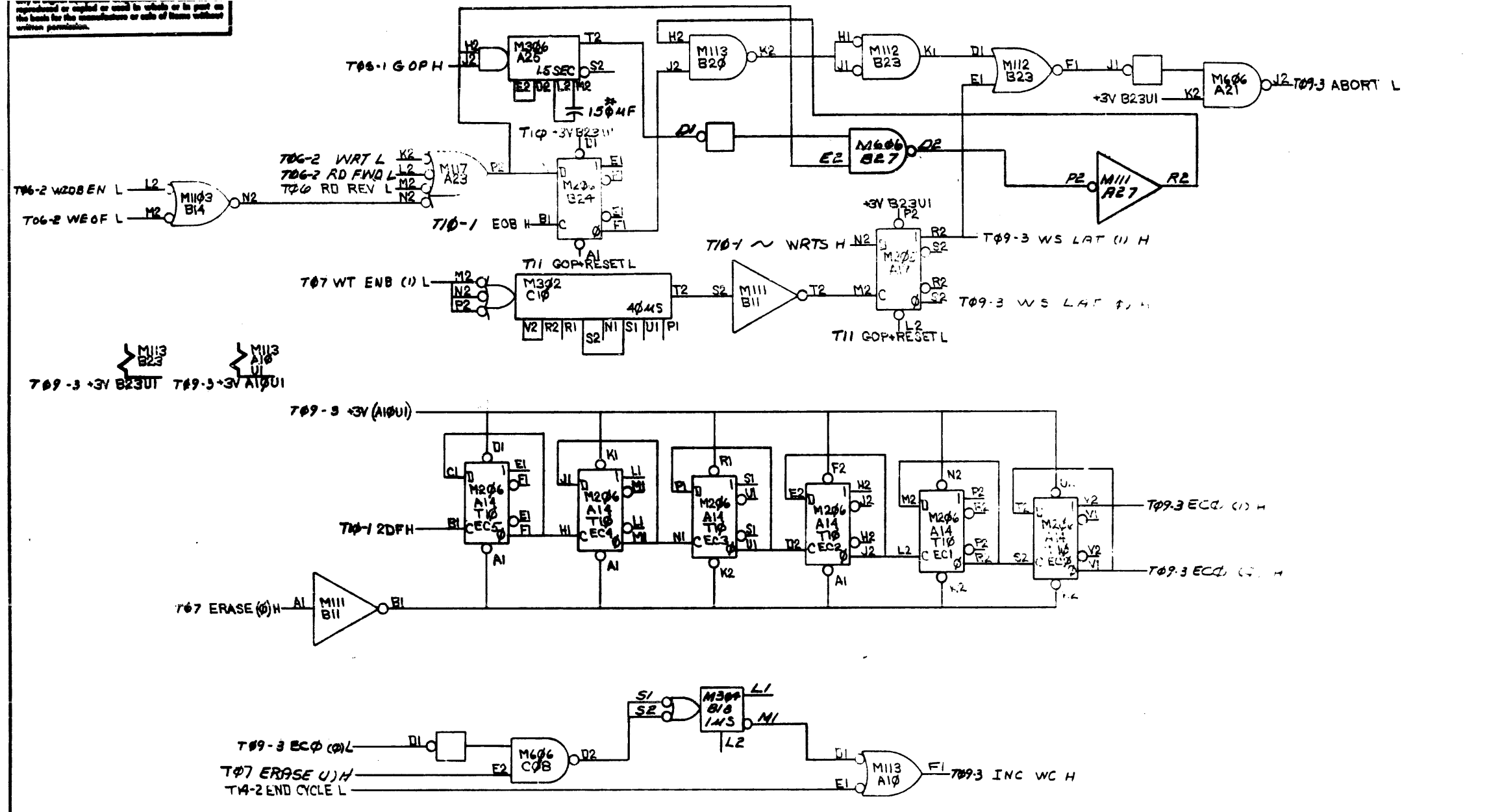
This drawing and specifications, herein, are the property of Digital Equipment Corporation and shall not be reproduced or copied or used in whole or in part as the basis for the manufacture or sale of items without written permission.



\* EXTERNAL COMPONENT

DRG. <i>L. J. ...</i>	DATE <i>7-2-73</i>	<b>digital</b> EQUIPMENT CORPORATION MAYNARD, MASSACHUSETTS
CHK'D.	DATE <i>1-17-73</i>	
ENG. <i>R. H. Dwyer</i>	DATE <i>1-18-73</i>	TITLE <b>MOTION CONTROL</b>
PROJ. ENG. <i>R. H. Dwyer</i>	DATE <i>1-18-73</i>	
PRPD. <i>R. H. Dwyer</i>	DATE <i>1-22-73</i>	
FIRST USED ON		
PDP-11	SCALE <i>NONE</i>	SIZE CODE <b>C</b> NUMBER <b>BSTR79-F-T09</b> REV. <b>D</b>
SHEET <b>2</b> OF <b>3</b>	DIST.	

This drawing and specifications herein are the property of Digital Equipment Corporation and shall not be reproduced or copied or used in whole or in part on the basis for the manufacture or sale of items without written permission.

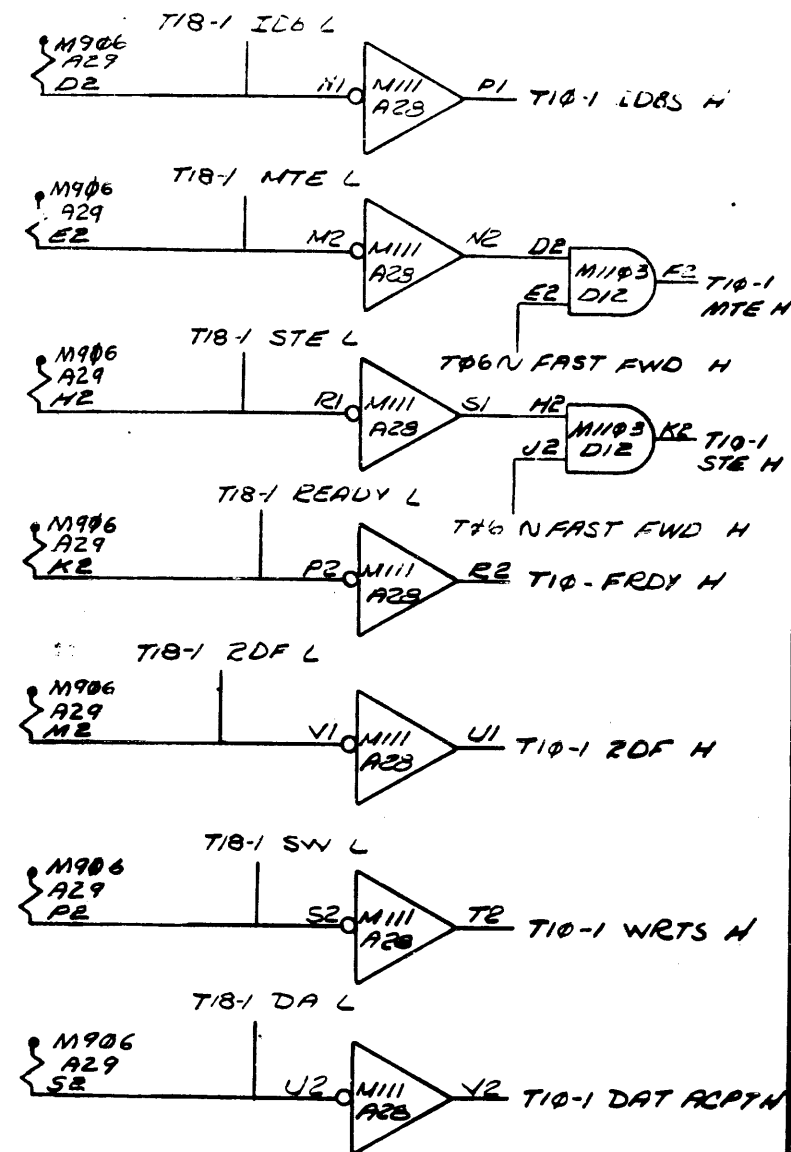
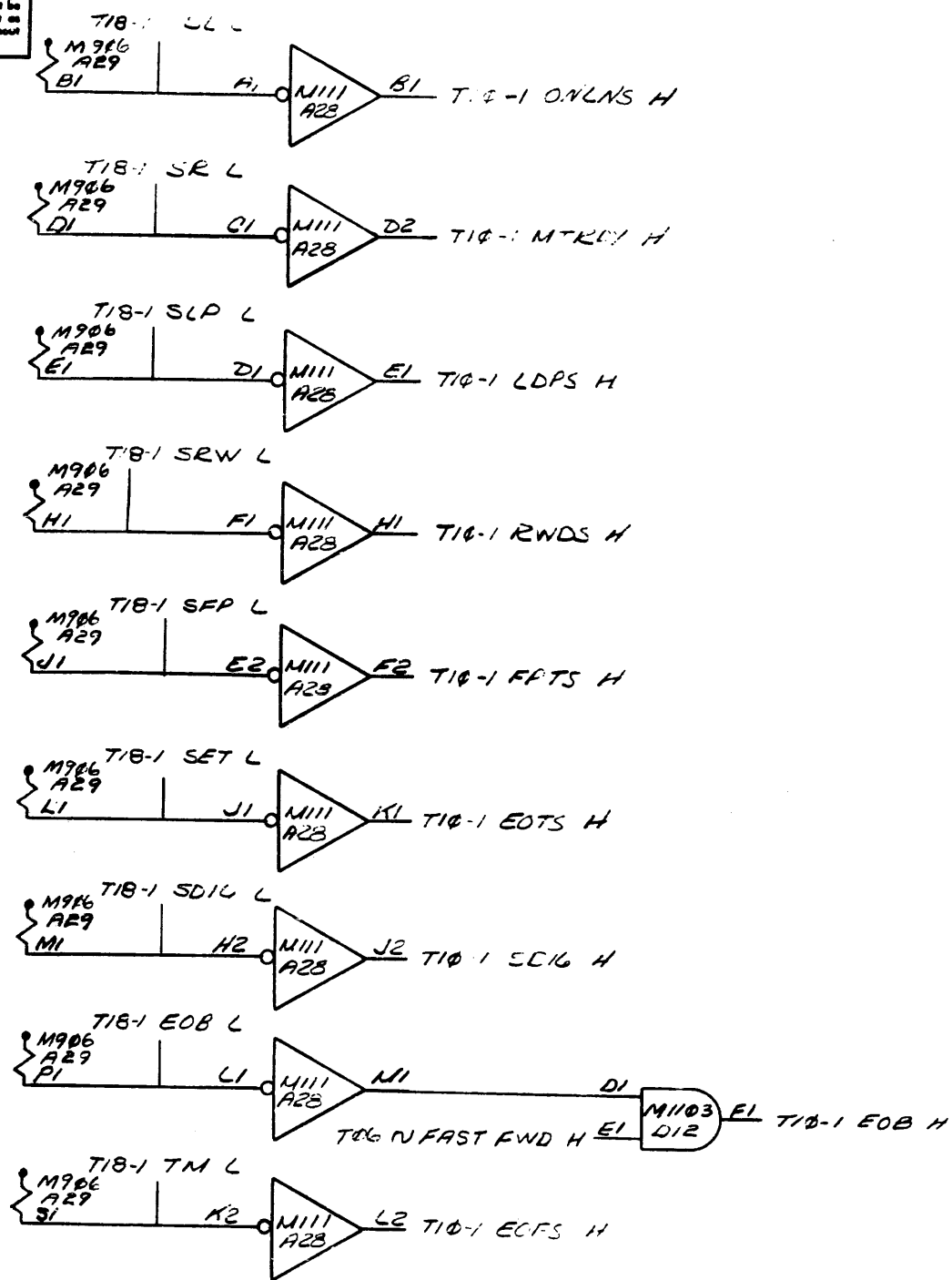


\* EXTERNAL COMPONENT

DRN. <i>Roy L. ...</i>	DATE <i>1-23-73</i>			
CHK'D.	DATE			
ENG. <i>R. H. Dwyer</i>	DATE <i>1-17-73</i>	TITLE		
PROJ. ENG. <i>R. H. Dwyer</i>	DATE <i>1-18-73</i>	MOTION CONTROL		
PROD. <i>R. H. Dwyer</i>	DATE <i>1-22-73</i>			
FIRST USED ON		SIZE CODE	NUMBER	REV.
PDP-11		C BS	TR79-F-T09	D
SCALE NONE				
SHEET 3 OF 3		DIST.		



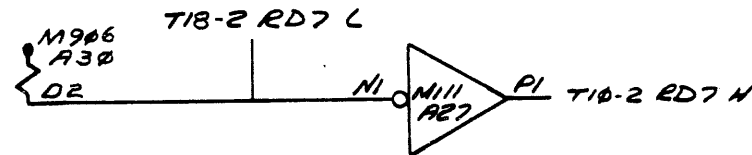
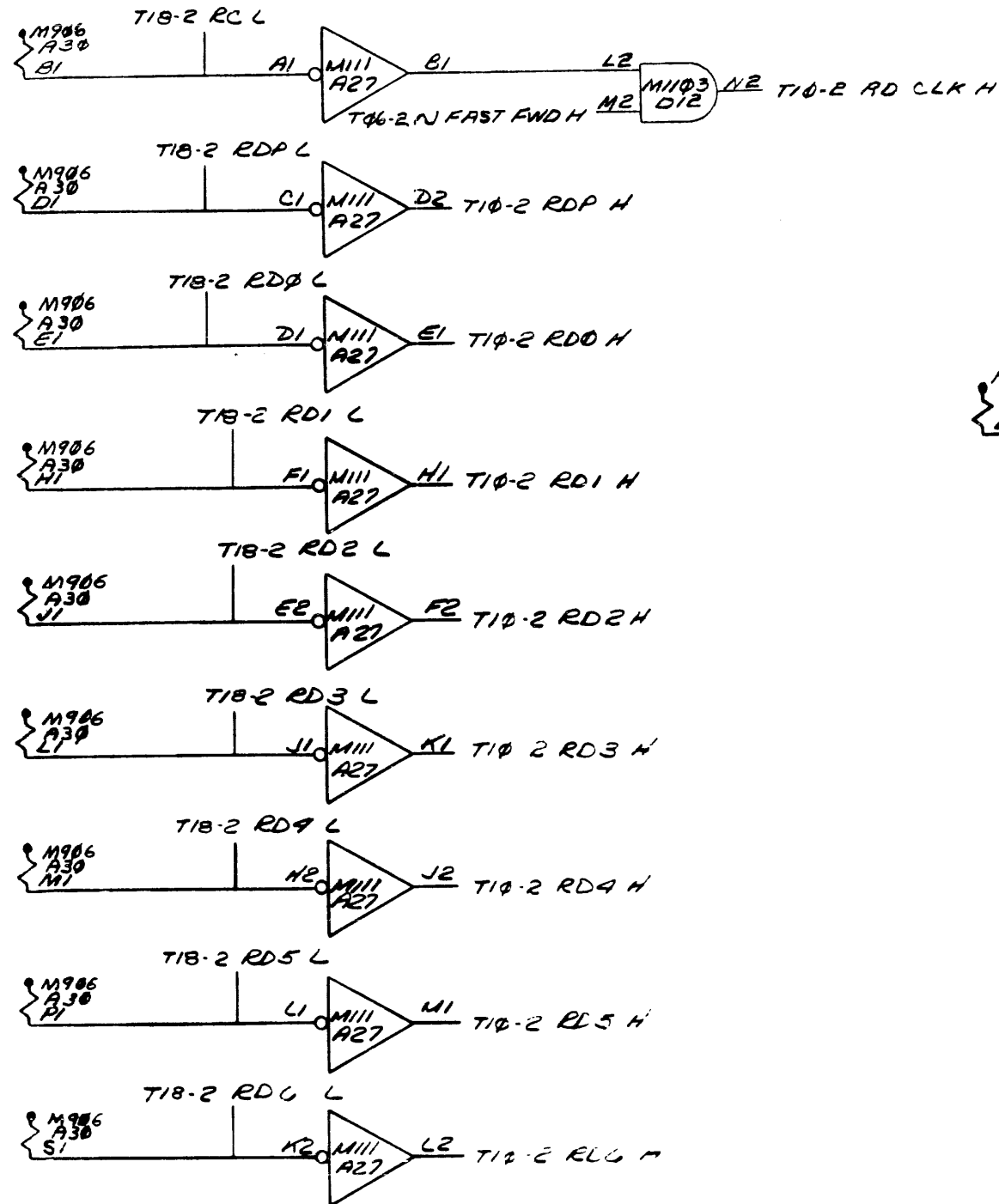
This drawing and specifications, herein, are the property of Digital Equipment Corporation and shall not be reproduced or copied or used in whole or in part as the basis for the manufacture or sale of items without written permission.



REV.	CHANGE NO.	DATE	BY
A	0001	6-2-73	J. Chastain
B	0003	7/19/73	R. Dwyer
		3-6-75	S. M. Galloway
			S. KOZLOL
			Steve Kaye

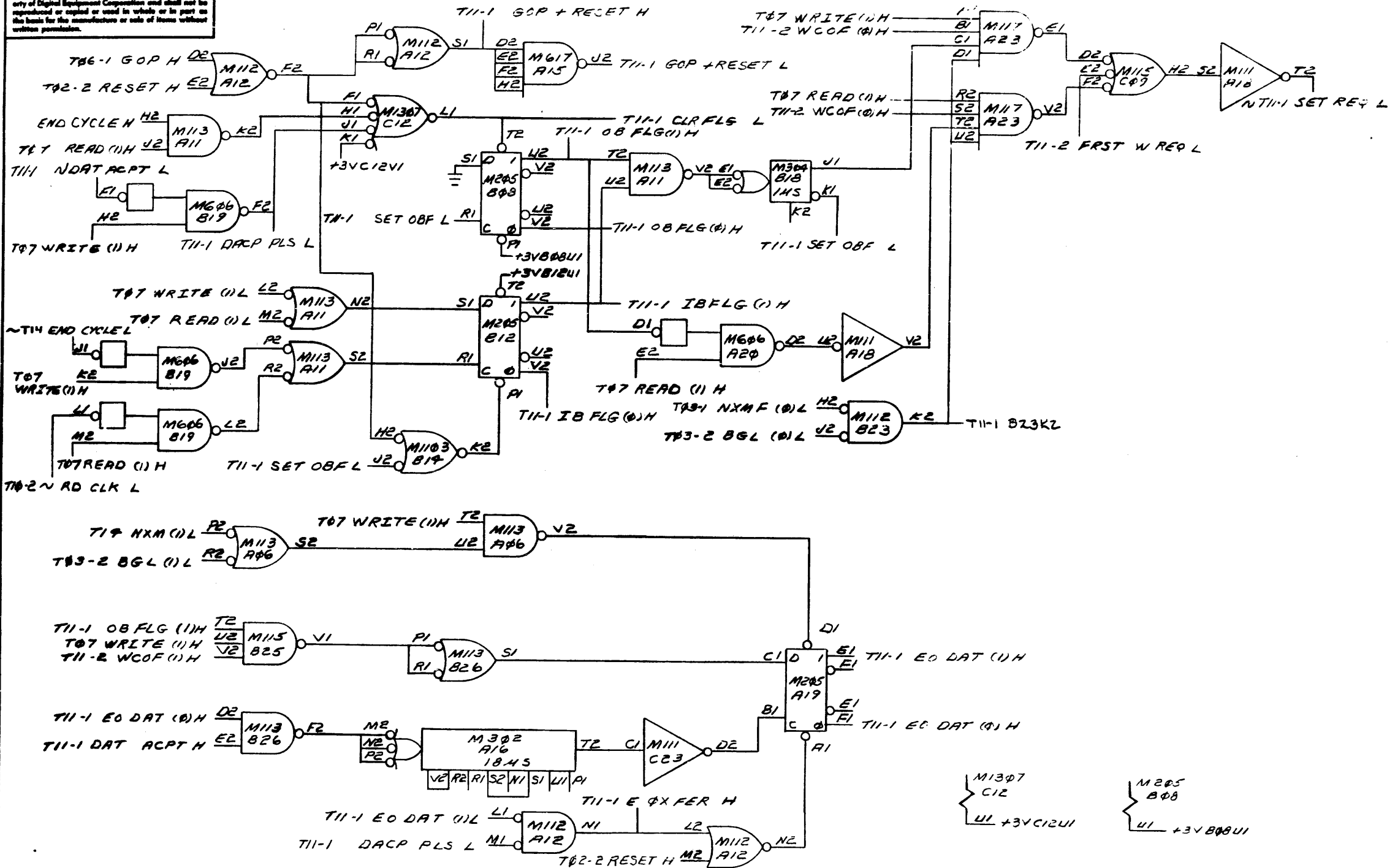
CHK'D.	DATE	<b>digital</b> EQUIPMENT CORPORATION NUMBER MANAGEMENT
ENG.	DATE	
PROJ. ENG.	DATE	
PROD.	DATE	
FIRST USED ON	DATE	
PDP-11		TITLE
SCALE NONE		MTT TO TCU RECEIVERS
SHEET 1 OF 2	SIZE CODE	NUMBER
	C BSTR79-F-T10	REV. B

This drawing and specifications, herein, are the property of Digital Equipment Corporation and shall not be reproduced or copied or used in whole or in part as the basis for the manufacture or sale of items without written permission.



DESIGNED BY <i>John G. ...</i>	DATE 3/11/72	<b>digital</b> EQUIPMENT CORPORATION
CHECKED BY K. ...	DATE 1-17-75	
ENG. S. H. ...	DATE 1-18-73	TITLE MTT TO TCU RECEIVERS
PROJ. ENG. S. H. ...	DATE 1-18-73	
DATE 1-22-72		
SCALE N/E		SIZE CODE C
SHEET 2 OF 2		NUMBER BS TR 79 - F - T10
		REV. B

This drawing and specifications, herein, are the property of Digital Equipment Corporation and shall not be reproduced or copied in whole or in part on the basis for the manufacture or sale of items without written permission.



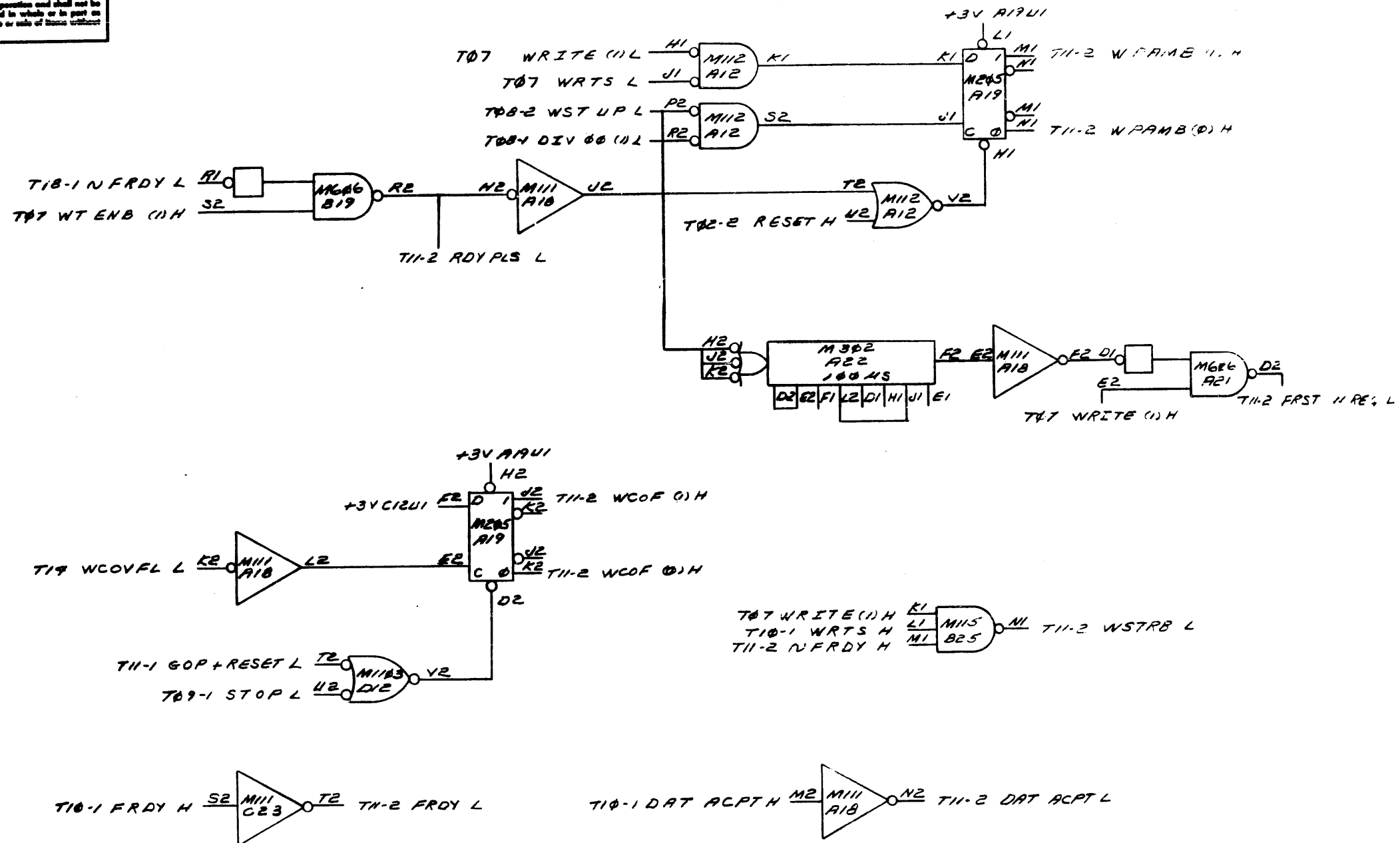
M1307  
C12  
U1 +3V C12V1

M205  
B08  
U1 +3V B08U1

REV.	DATE	BY	CHK'D.
1	1-17-73	J. CLARK	J. CLARK
2	1-18-73	S. KOZLO	S. KOZLO
3	1-18-73	S. KOZLO	S. KOZLO
4	1-18-73	S. KOZLO	S. KOZLO
5	1-18-73	S. KOZLO	S. KOZLO
6	1-18-73	S. KOZLO	S. KOZLO
7	1-18-73	S. KOZLO	S. KOZLO
8	1-18-73	S. KOZLO	S. KOZLO
9	1-18-73	S. KOZLO	S. KOZLO
10	1-18-73	S. KOZLO	S. KOZLO

DRN.	DATE	<b>digital</b> EQUIPMENT CORPORATION BAYHARD, MASSACHUSETTS	
CHK'D.	DATE	TITLE	
ENG.	DATE	BUFFER CONTROL	
PROJ. ENG.	DATE	SIZE CODE	NUMBER
PROB.	DATE	C BS	TR79-F-T11
FIRST USED ON	DATE	DIST.	
FDP-11			
SCALE	NONE		
SHEET	1 OF 2		

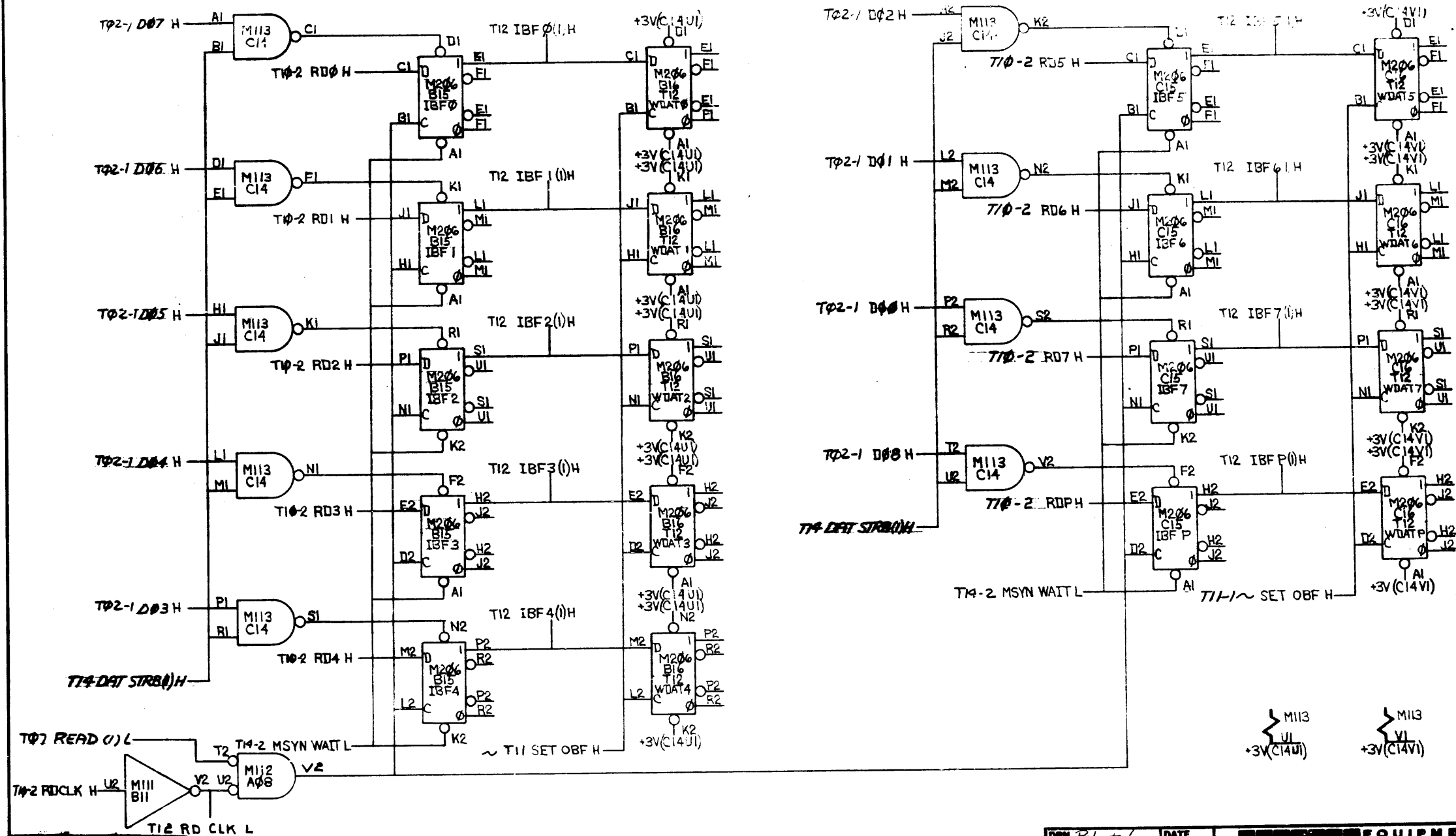
This drawing and specifications, herein, are the property of Digital Equipment Corporation and shall not be reproduced or copied or used in whole or in part as the basis for the manufacture or sale of items without written permission.



M205  
A19  
UI +3VA19UI

DRN. 1	DATE 11-16-72	digital EQUIPMENT CORPORATION MAYFIELD, MASSACHUSETTS
CHK'D. R. H. DUNN	DATE 1-17-73	
ENG. R. H. DUNN	DATE 1-18-73	TITLE <b>BUFFER CONTROL</b>
PROJ. ENG. R. H. DUNN	DATE 1-19-73	
PROP. R. H. DUNN	DATE 1-22-73	
FIRST/USED ON FDP-11		
SCALE NONE	SIZE CODE C BS	NUMBER TR79-F-T11
SHEET 2 OF 2	DIST.	REV. D

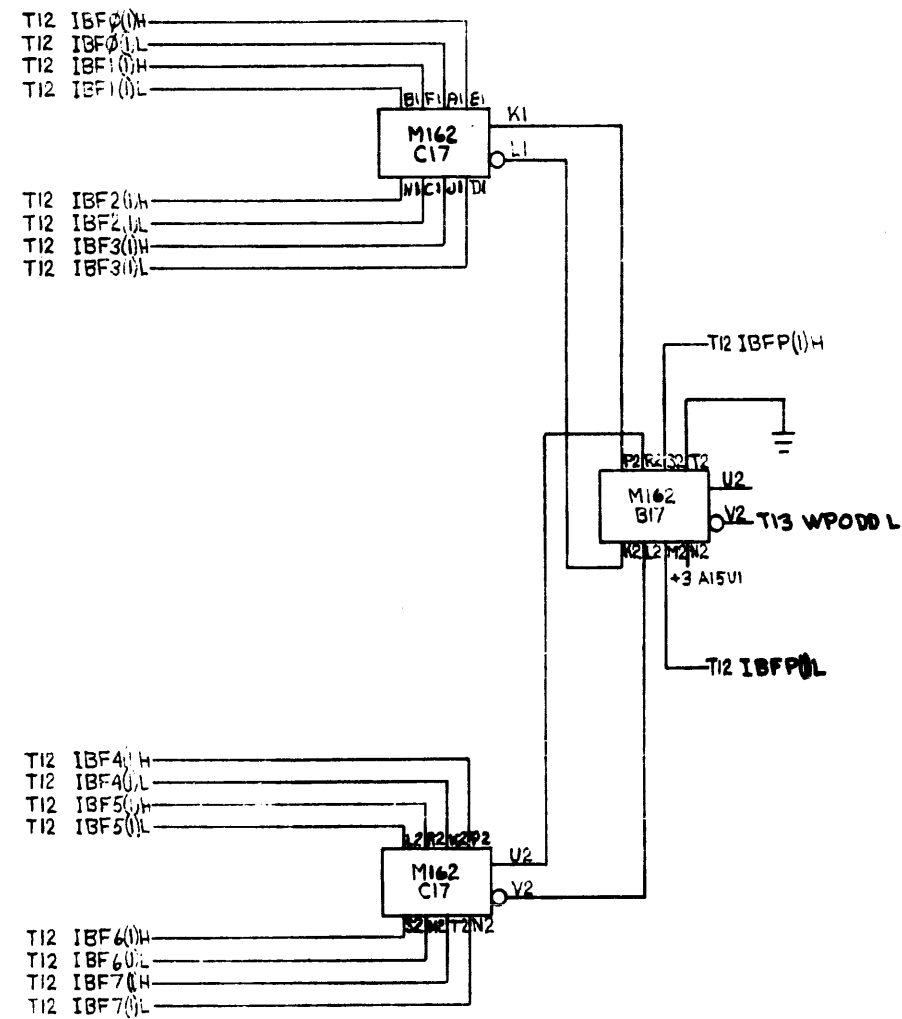
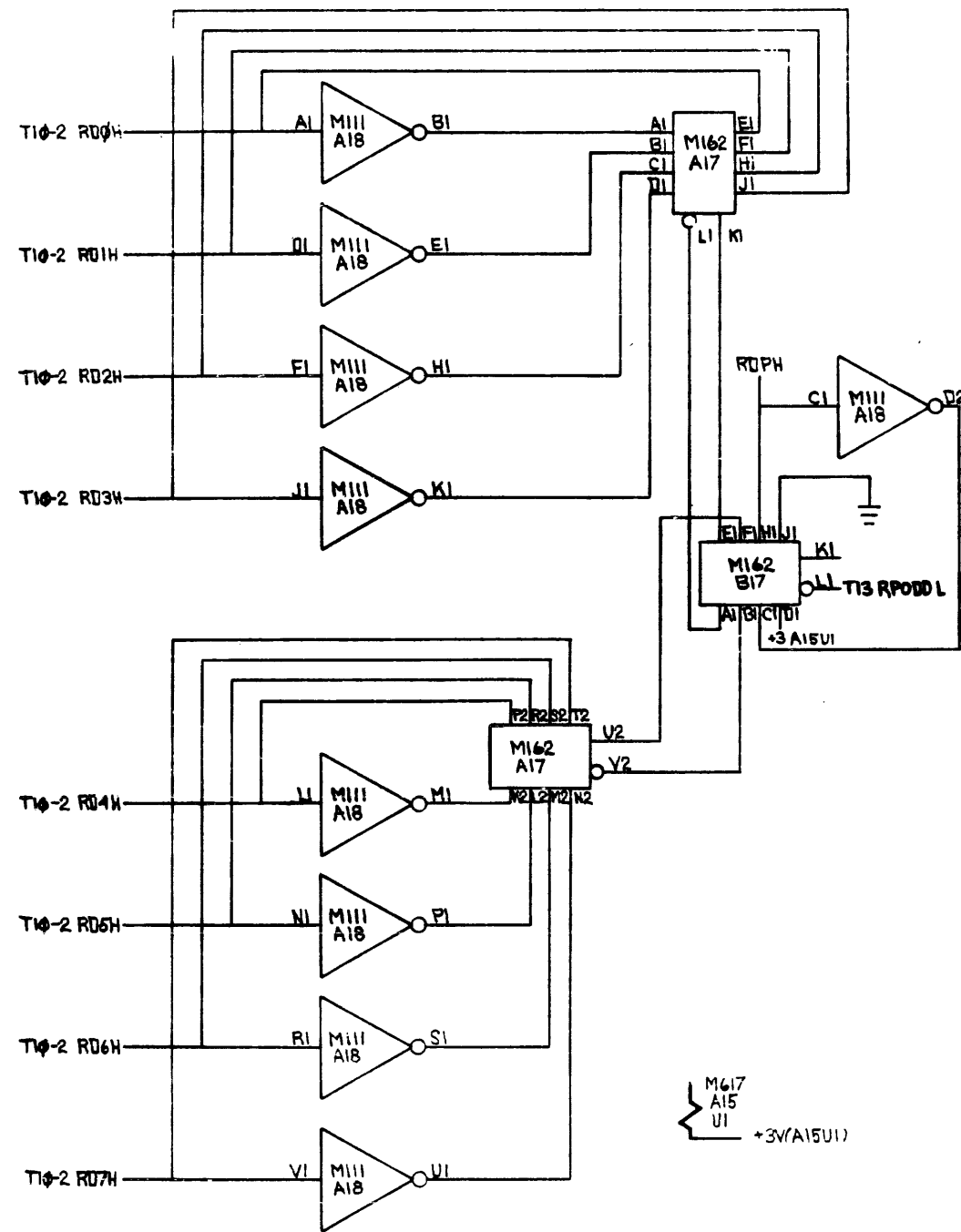
This drawing and specifications, herein, are the property of Digital Equipment Corporation and shall not be reproduced or copied or used in whole or in part as the basis for the manufacture or sale of items without written permission.



REVISED	DATE	BY
1	1-18-73	R.H. DUNN
2	1-17-73	R.H. DUNN
3	1-18-73	R.H. DUNN
4	1-18-73	R.H. DUNN
5	1-22-73	R.H. DUNN

DRN. Robert L. Garrison	DATE 9-18-72	<b>digital</b> EQUIPMENT CORPORATION
CHK'D. Raymond	DATE 1-17-73	
ENG. Raymond	DATE 1-18-73	TITLE <b>READ - WRITE BUFFER</b>
PROJ. ENG. R.H. Dunn	DATE 1-18-73	
PROJ. R.H. Dunn	DATE 1-18-73	
TEST/USED ON PDP-11	DATE 1-22-73	SIZE CODE C BS
SCALE NONE		TR79-F-T12
SHEET OF		DIST.

This drawing and specifications, herein, are the property of Digital Equipment Corporation and shall not be reproduced or copied or used in whole or in part on the basis for the manufacture or sale of items without written permission.

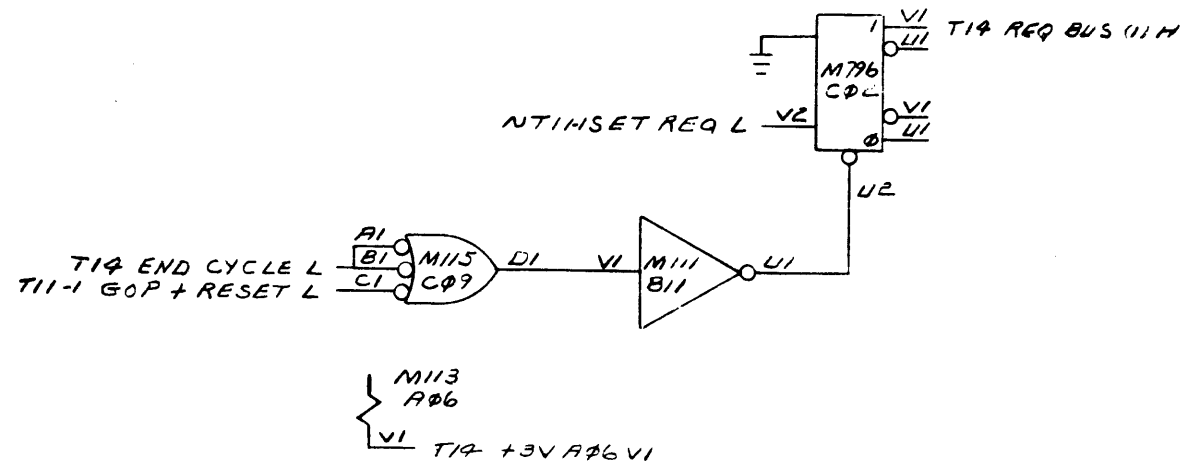
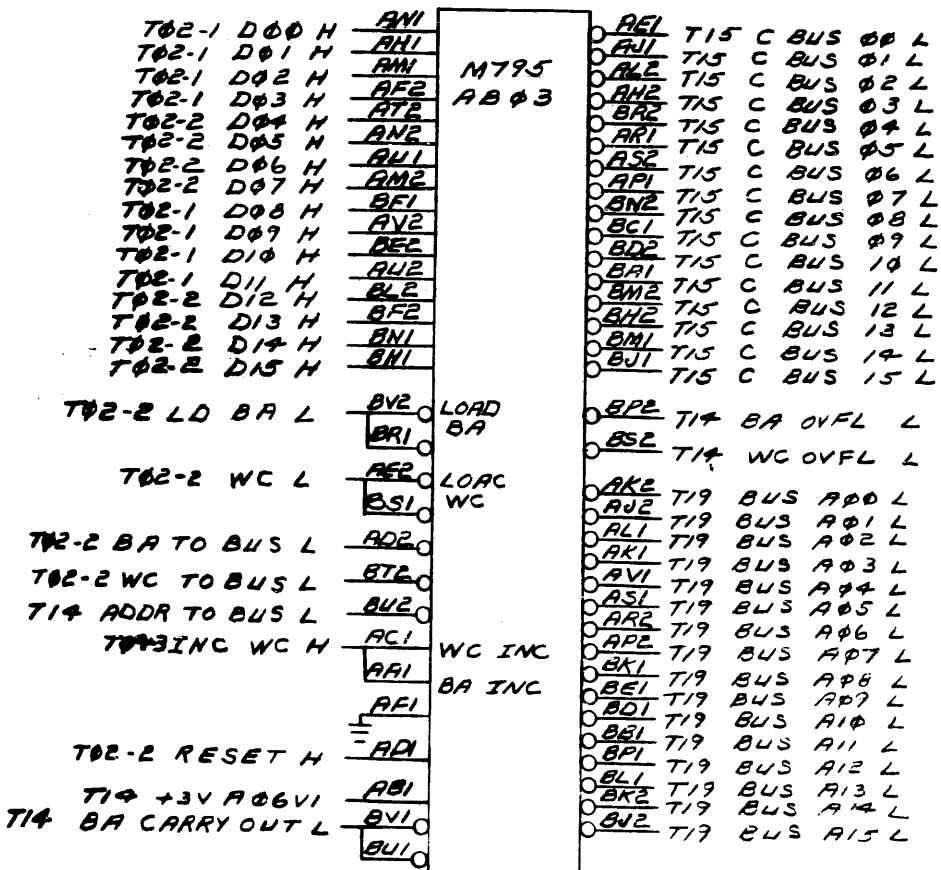
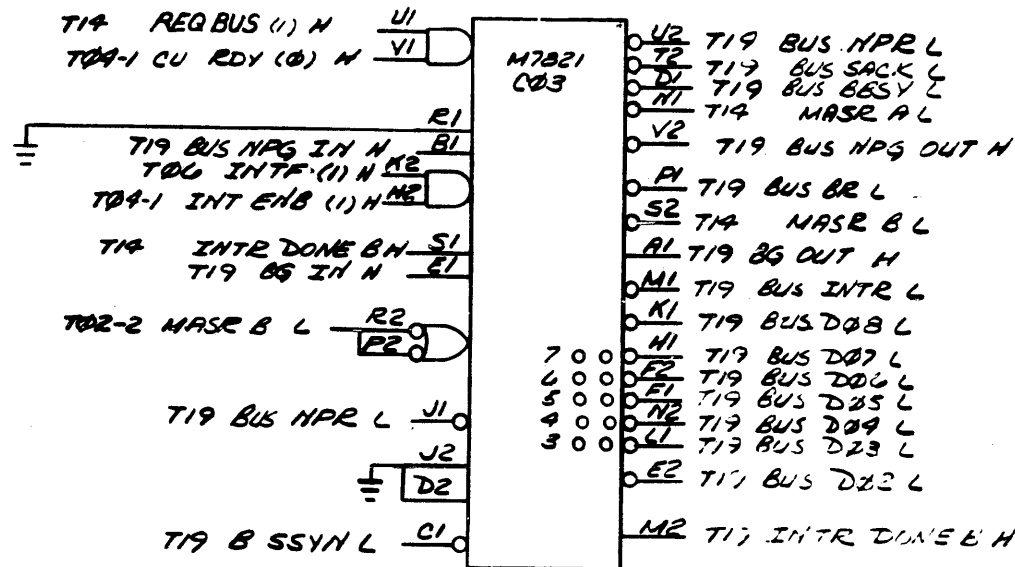
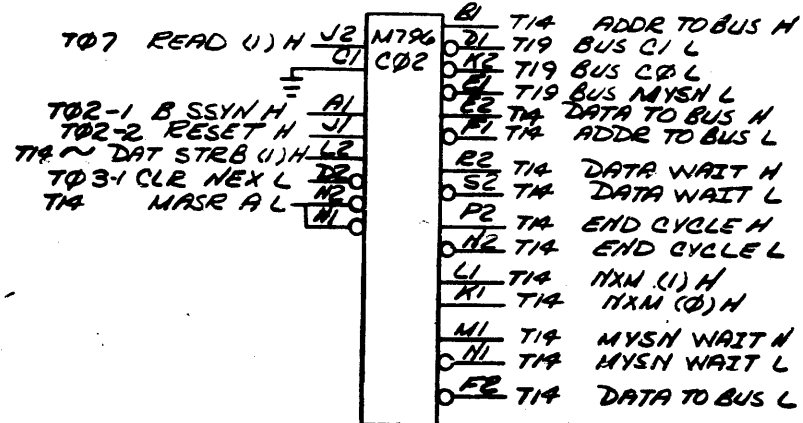
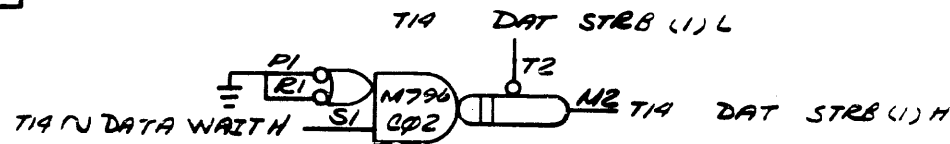


M167  
A15  
U1  
+3V(A15U1)

REV. NO.	REV.
DATE	REV.
28	A
TR79F-00004	
12-30-72	
REVISIONS	
CHANGE NO.	
DESCRIPTION	
DATE	
BY	
APPROVED	

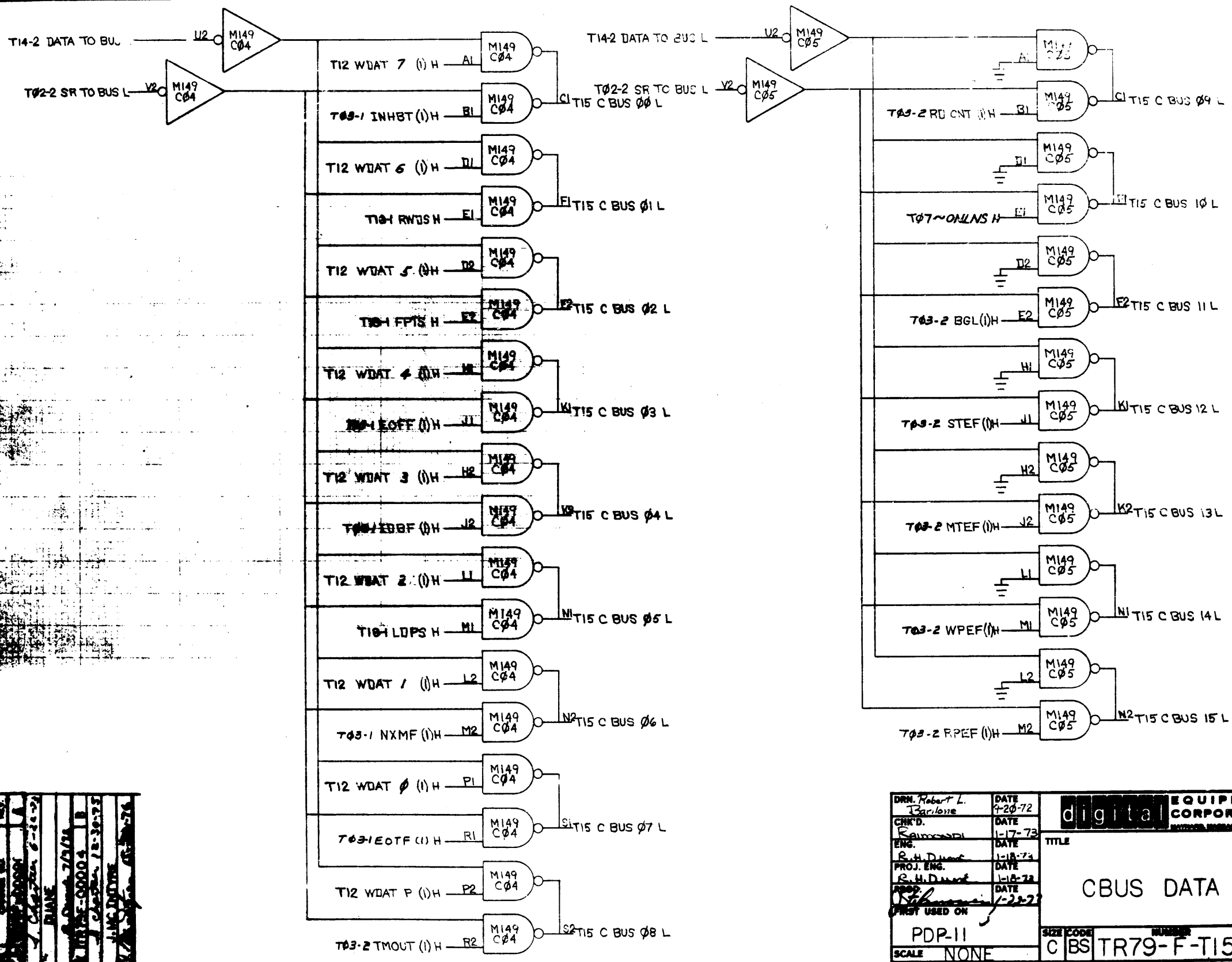
DRN. Present	DATE 9-15-72	 <b>DIGITAL EQUIPMENT CORPORATION</b> BAYBURN, MASSACHUSETTS
CHK'D. R.H.D.	DATE 1-17-73	
ENG. R.H.D.	DATE 1-18-73	
PROJ. ENG. R.H.D.	DATE 1-18-73	
PROD. R.H.D.	DATE 1-12-73	
FIRST USED ON PDP-11		
TITLE <b>READ &amp; WRITE PARITY GENERATOR</b>		
SCALE NONE	SIZE CODE C BS	NUMBER TR79-F-T13
SHEET OF	DIST.	REV. A

This drawing and specifications, herein, are the property of Digital Equipment Corporation and shall not be reproduced or copied or used in whole or in part as the basis for the manufacture or sale of items without written permission.



DATE	9-1-72	digital EQUIPMENT CORPORATION MAYFIELD, MASSACHUSETTS
CHK'D.	DATE	
ENG.	DATE	TITLE
PROJ. ENG.	DATE	DMA CONTROL
DATE	DATE	
DATE	DATE	SIZE CODE
DATE	DATE	NUMBER
DATE	DATE	REV.
DATE	DATE	C B S T R 79 - F - T14 B
DATE	DATE	DIST.

This drawing and specifications, herein, are the property of Digital Equipment Corporation and shall not be reproduced or copied or used in whole or in part in the manufacture or sale of items without written permission.

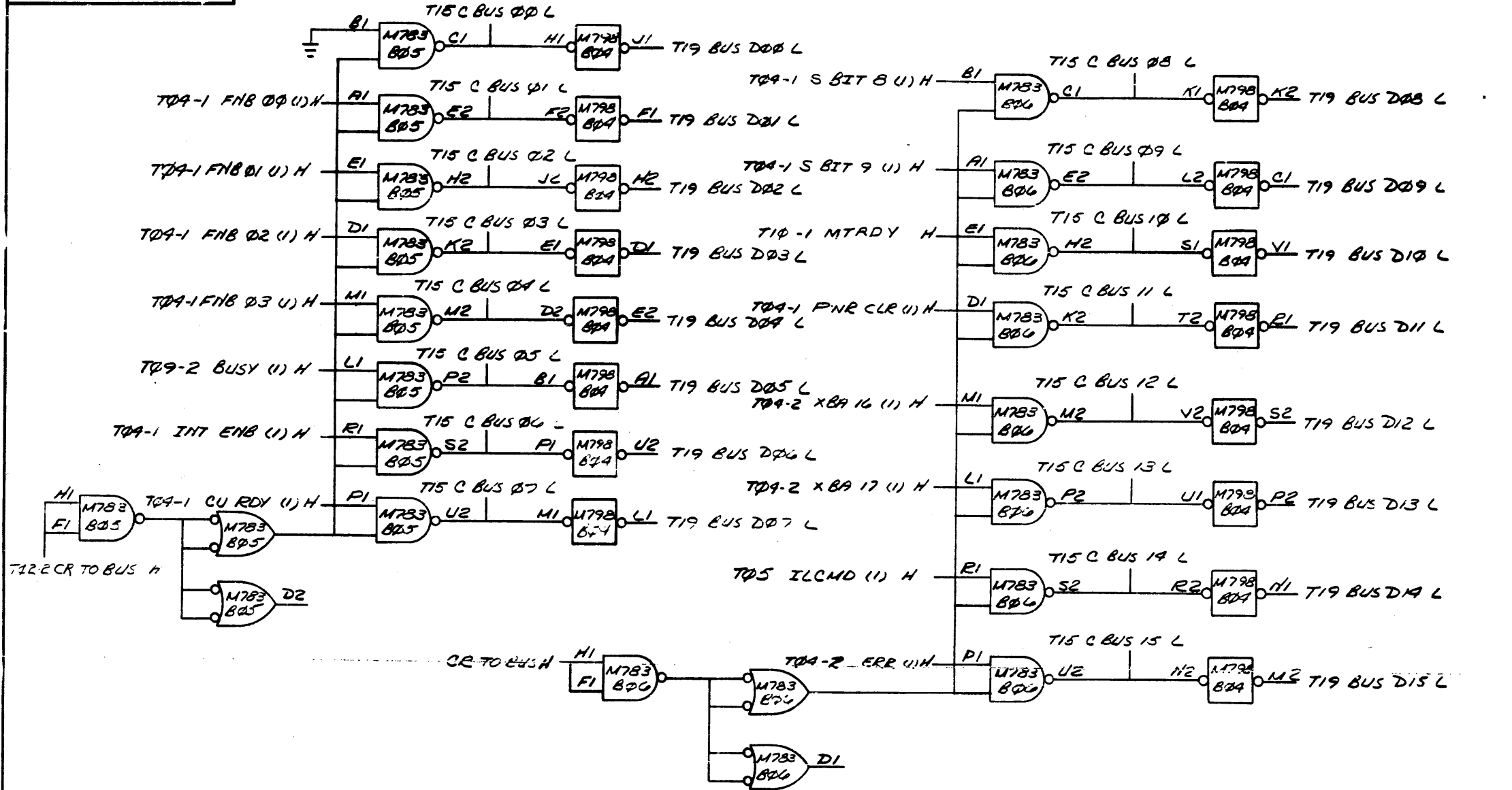


REV.	DATE	BY	CHK'D.
1	7/2/72	...	...
2	...	...	...
3	...	...	...
4	...	...	...
5	...	...	...

DRN. Robert L. Barlowe	DATE 7-20-72		TITLE
CHK'D. ...	DATE 1-17-73		<b>CBUS DATA</b>
ENG. ...	DATE 1-18-73		
PROJ. ENG. ...	DATE 1-18-73		
PROP. ...	DATE 1-22-73		
FIRST USED ON PDP-11	SCALE NONE	SIZE CODE C BS	NUMBER TR79-F-T15
SHEET	OF	DIST.	REV. B

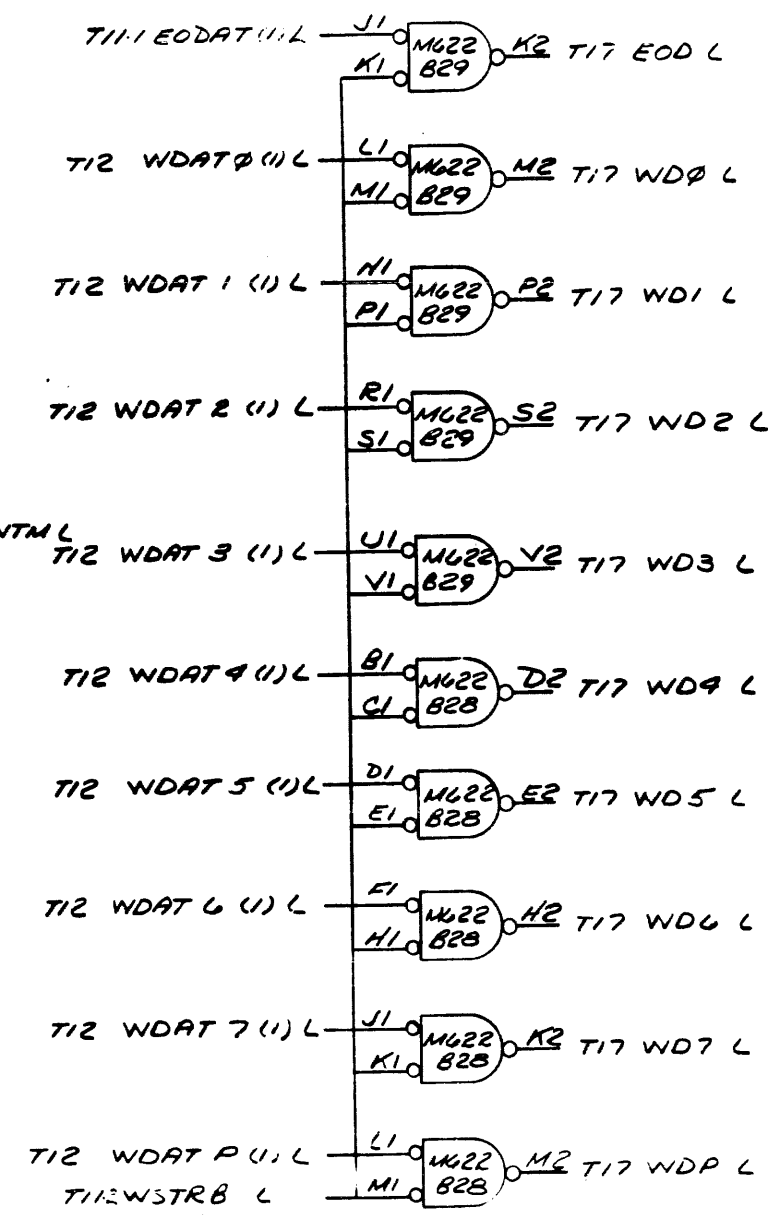
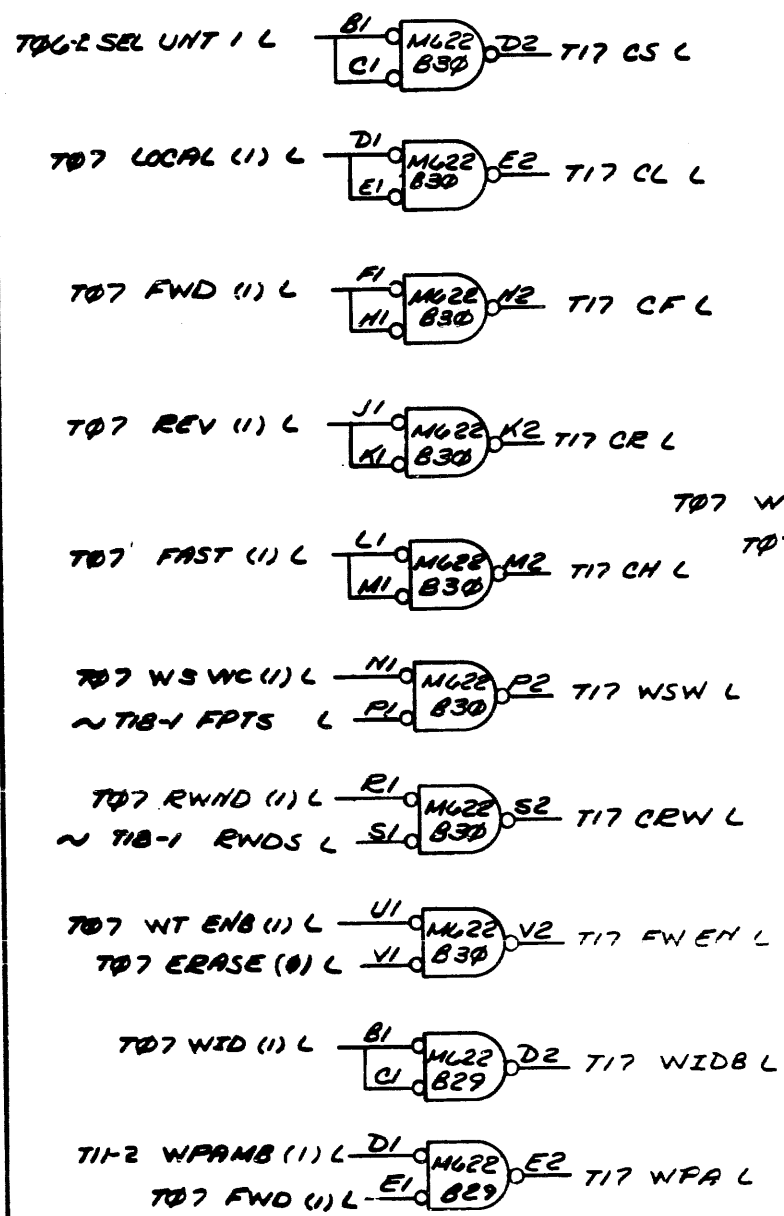


This drawing and specifications herein, are the property of Digital Equipment Corporation and shall not be reproduced or copied or used in whole or in part as the basis for the manufacture or sale of items without written permission.



DRW <i>2/2/73</i>	DATE 9-19-72	<b>digital</b> EQUIPMENT CORPORATION <small>MAYNARD, MASSACHUSETTS</small>
CHK'D. S. H. DUNN	DATE 1-17-73	
ENG. S. H. DUNN	DATE 1-18-73	TITLE BUS DATA
PROJ. ENG. S. H. DUNN	DATE 1-18-73	SIZE CODE C B S
PROD. <i>J. Schmitt</i>	DATE 1-22-73	NUMBER TR 79-F-116
FIRST USED ON PDP-11		REV. 1
SCALE NONE		DIST.
SHEET 1	OF 1	

This drawing and specifications, herein, are the property of Digital Equipment Corporation and shall not be reproduced or copied or used in whole or in part as the basis for the manufacture or sale of items without written permission.

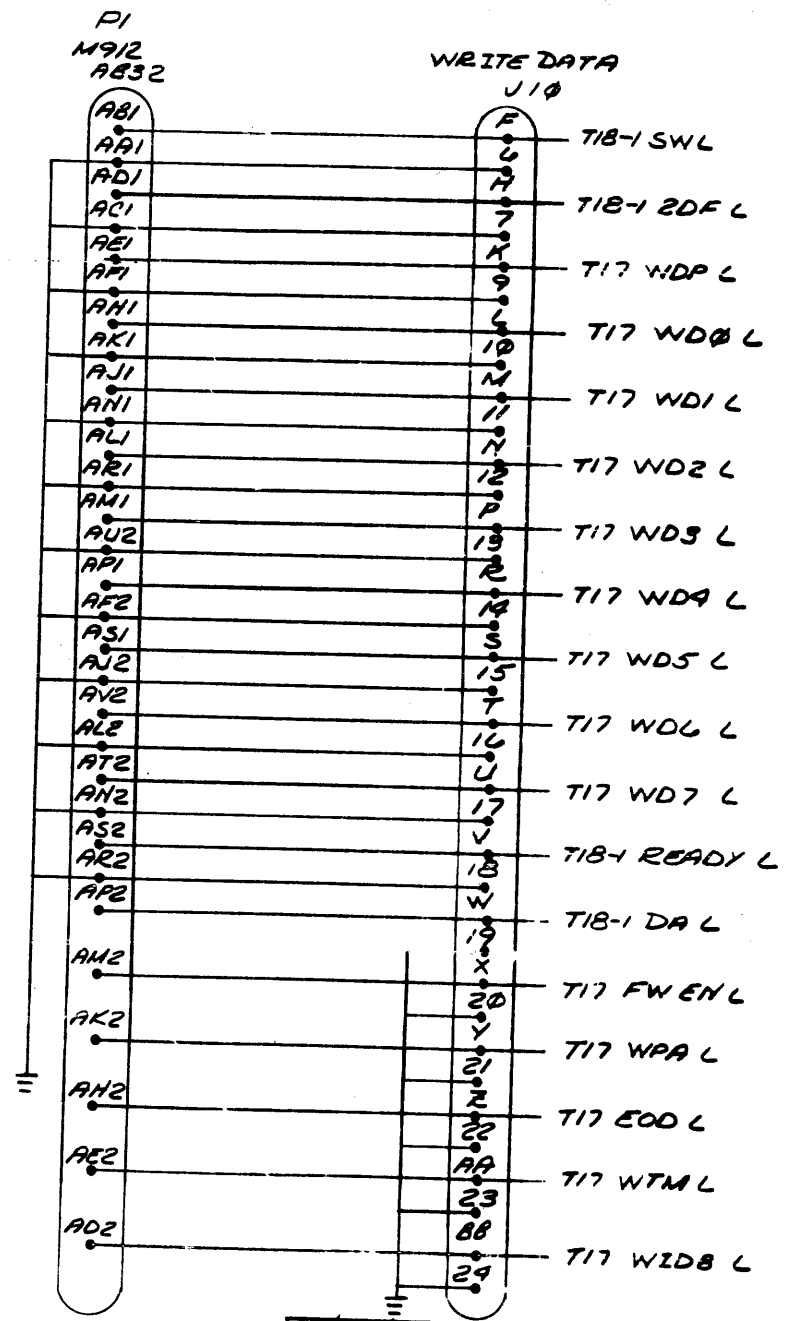
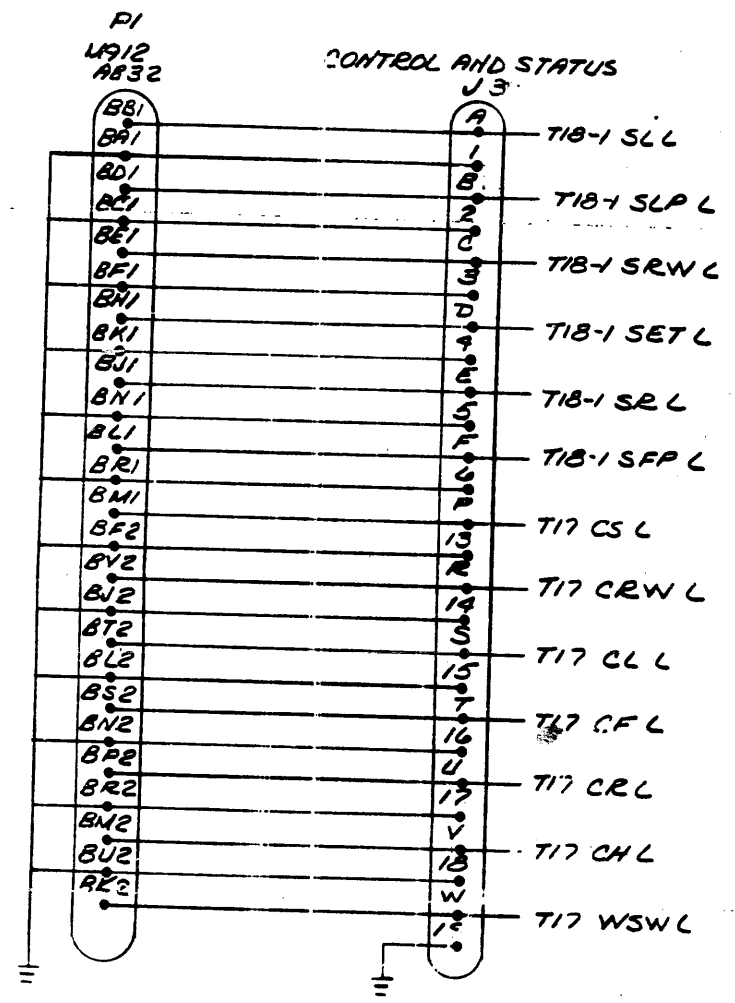


REVISIONS	DATE	BY
CHANGE NO.		
1	1/1/78	J. MCINTYRE
2	7/1/78	J. MCINTYRE
3	12/1/78	J. MCINTYRE
4	12/1/78	J. MCINTYRE
5	12/1/78	J. MCINTYRE

DRM.	DATE	digital EQUIPMENT CORPORATION MAYFORD, MASSACHUSETTS
CHK'D.	DATE	
ENG.	DATE	TITLE
PROJ ENG.	DATE	TCU TO MTT
PROP.	DATE	DRIVERS
FIRST USED ON		
SCALE	SIZE CODE	NUMBER
SHEET	OF	REV
		B

This drawing and specifications, herein, are the property of Digital Equipment Corporation and shall not be reproduced or copied or used in whole or in part as the basis for the manufacture or sale of any product without written permission.

COPYRIGHT ©  
DIGITAL EQUIPMENT CORPORATION.

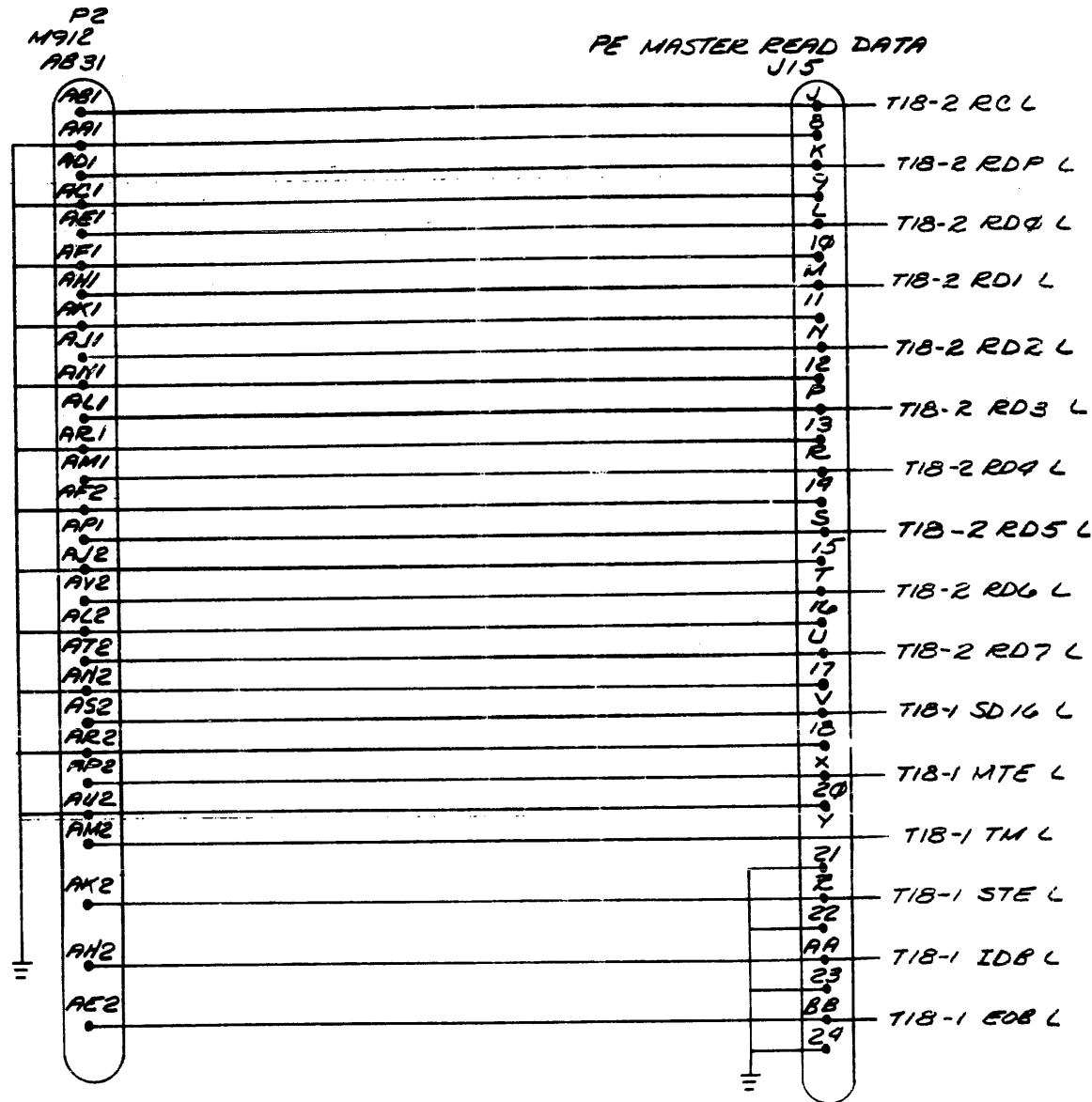


DATE	DATE	<b>digital</b> EQUIPMENT CORPORATION
CHK'D.	DATE	
ENG.	DATE	TITLE
PROJ. ENG.	DATE	MTT CABLES
DATE	DATE	
DATE	DATE	SIZE CODE
DATE	DATE	NUMBER
DATE	DATE	REV.
DATE	DATE	C ICTR79-F-T18
DATE	DATE	DIST
DATE	DATE	

PDR 11  
SCALE 1:1  
SHEET 1 OF 2

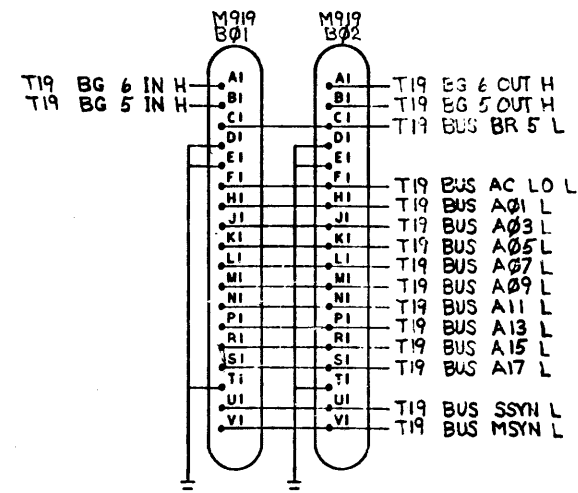
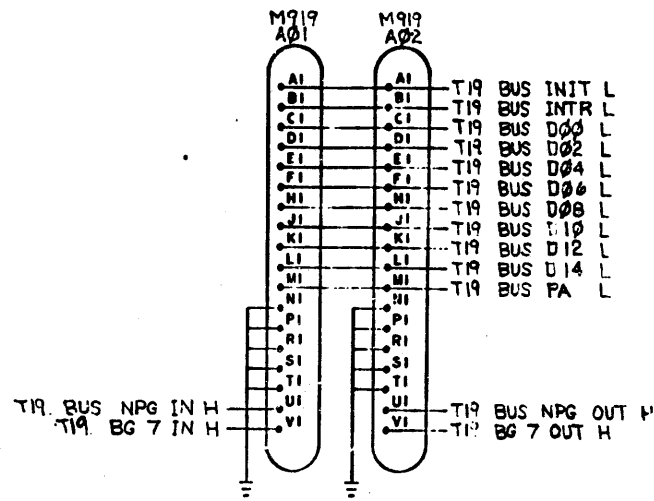
This drawing and specifications, herein, are the property of Digital Equipment Corporation and shall not be reproduced or copied or used in whole or in part as the basis for the manufacture or sale of items without written permission.

COPYRIGHT ©  
DIGITAL EQUIPMENT CORPORATION.

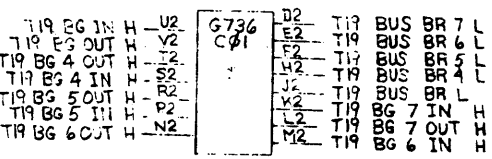
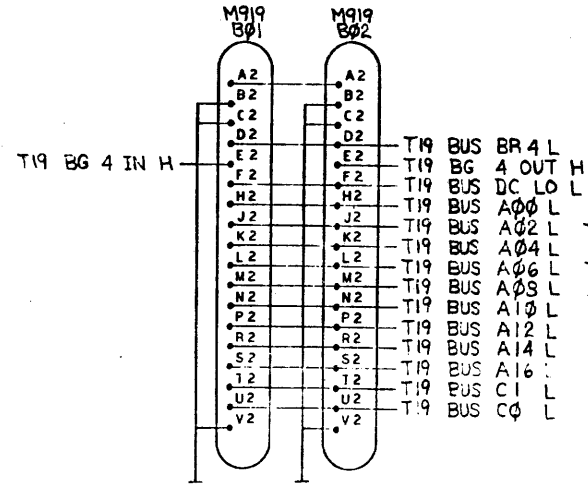
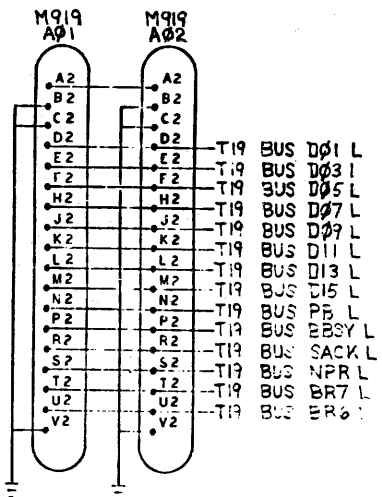


DRW. C.P.L. 10-18-73	DATE 10-18-73	<b>digital</b> EQUIPMENT CORPORATION MAYNARD, MASSACHUSETTS
CHK'D. S. H. D. 10-17-73	DATE 10-17-73	
ENG. S. H. D. 10-18-73	DATE 10-18-73	TITLE
PROJ. ENG. S. H. D. 10-18-73	DATE 10-18-73	MTT CABLES
PROD. S. H. D. 10-22-73	DATE 10-22-73	
FIRST USED ON PDP-11		SIZE CODE
SCALE NONE		NUMBER
SHEET 2 OF 2		REV.

"THIS DRAWING AND SPECIFICATIONS HEREIN ARE THE PROPERTY OF DIGITAL EQUIPMENT CORPORATION AND SHALL NOT BE REPRODUCED OR COPIED OR USED IN WHOLE OR IN PART AS THE BASIS FOR THE MANUFACTURE OR SALE OF ITEMS WITHOUT WRITTEN PERMISSION. COPYRIGHT © 1973, DIGITAL EQUIPMENT CORPORATION"



NOTES:  
THE UNIBUS CONNECTOR IS A DOUBLE HEIGHT MODULE.



\* USE LEVEL 4 JUMPER

REVISIONS	REV	CHANGE NO	DATE
CHK	TR79F-00001	A	7/1/73
DUANE			
			7/1/73

FIRST USED ON OPTION/MODEL	QTY.	DESCRIPTION	PART NO.	ITEM NO.
PDP-11				
UNLESS OTHERWISE SPECIFIED DIMENSION IN INCHES				
TOLERANCES				
DECIMALS	ANGLES			
.xxx = .005	:0° 30'			
.xx = .02				
.x = .1				
REMOVE BURRS AND BREAK SHARP CORNERS SURFACE QUALITY Y				
MATERIAL				
FINISH				
PARTS LIST				
DRN. ROBERT L BARILONE		DATE 9-14-72	digital EQUIPMENT CORPORATION MAYNARD, MASSACHUSETTS	
CHK'D. RAIMONDI		DATE 1-17-73	TITLE	
ENG. S.H. DUANE		DATE 1-12-73	UNIBUS CONNECTORS	
PROJ. ENG. S.H. DUANE		DATE 1-18-73	SIZE CODE	
PROP. S.H. DUANE		DATE 4-22-73	NUMBER	
MATERIAL		NEXT HIGHER ASSY.		REV.
A-ML-TR79-F		C IC TR79-F-T19		A
SCALE NONE		SHEET		OF
SHEET		OF		DIST.

SIZE CODE C IC TR79-F-T19 REV A



THIS DRAWING AND SPECIFICATIONS HERON ARE THE PROPERTY OF DIGITAL EQUIPMENT CORPORATION AND SHALL NOT BE REPRODUCED OR COPIED IN ANY MANNER OR IN PART OR IN WHOLE OR BY ANY MEANS WITHOUT THE WRITTEN PERMISSION OF DIGITAL EQUIPMENT CORPORATION.

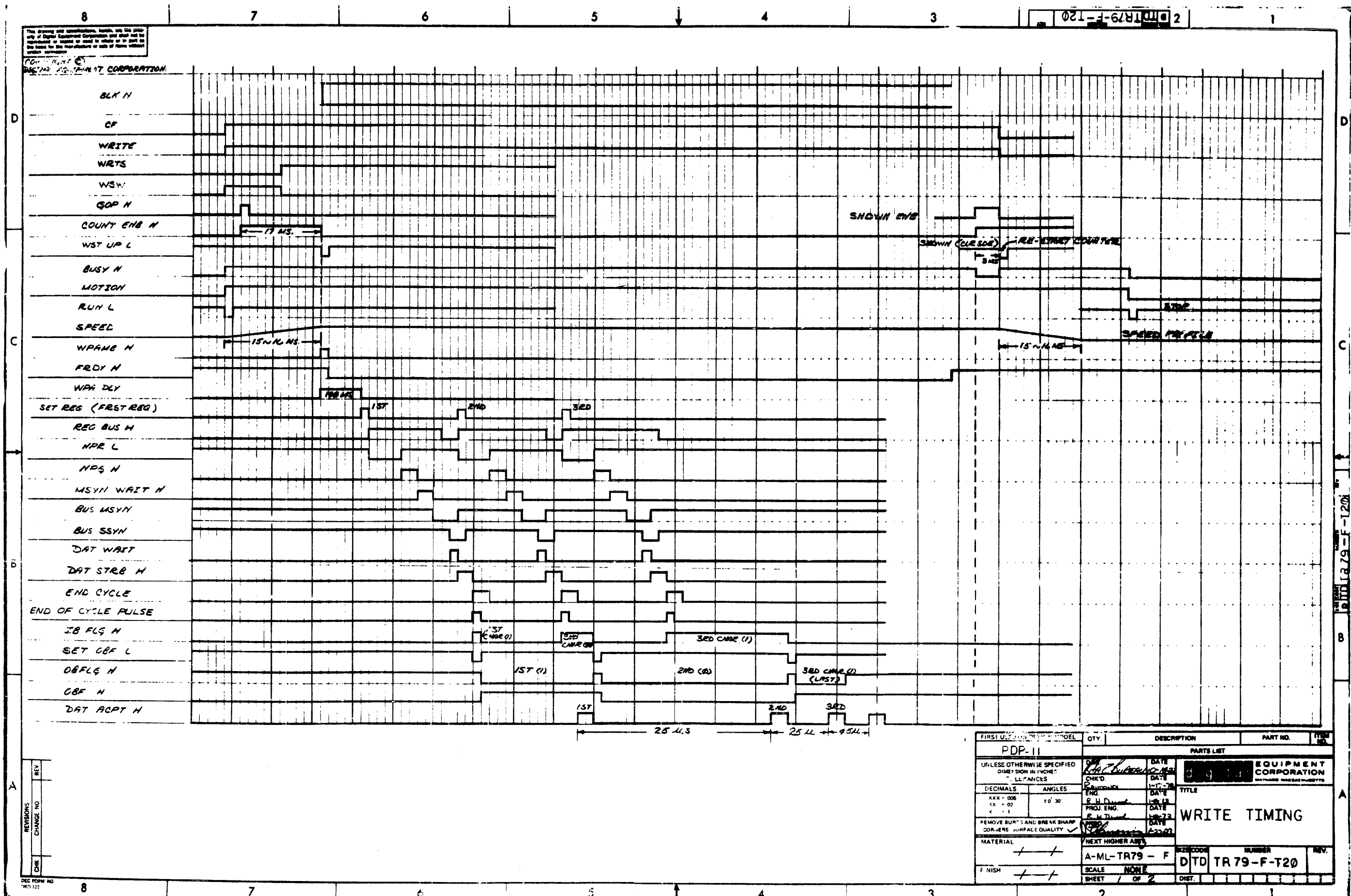
COPYRIGHT © 1973  
DIGITAL EQUIPMENT CORPORATION

WIRE TABLE

ITEM NO.	DESCRIPTION	FROM CONNECTION	TO CONNECTION	REMARKS	ITEM NO.	DESCRIPTION	FROM CONNECTION	TO CONNECTION	REMARKS	ITEM NO.	DESCRIPTION	FROM CONNECTION	TO CONNECTION	REMARKS						
2	24	RED	J10-F	PIA-B1	TWP	2	24	RED	J15-K	P2A-D1	TWP	2	24	RED	J15-K	P2A-D1	TWP			
		GRY	J10-G	PIA-GND	TWP			GRY	J10-AA	PIA-E2	TWP			BRN	J15-9	P2A-GND	TWP			
		RED	J10-H	PIA-D1	TWP			WHT	J10-23	PIA-GND	TWP			BLU	J15-L	P2A-E1	TWP			
		BRN	J10-7	PIA-GND	TWP			BRN	J10-B8	PIA-D2	TWP			BLK	J15-10	P2A-GND	TWP			
		BLU	J10-K	PIA-E1	TWP			WHT	J10-24	PIA-GND	TWP			ORN	J15-M	P2A-H1	TWP			
		BLK	J10-9	PIA-GND	TWP			RED	J3-A	PIB-B1	TWP			BLK	J15-11	P2A-GND	TWP			
		ORN	J10-L	PIA-H1	TWP			GRY	J3-1	PIB-GND	TWP			GRN	J15-N	P2A-J1	TWP			
		BLK	J10-M	PIA-GND	TWP			RED	J3-8	PIB-D1	TWP			BLK	J15-12	P2A-GND	TWP			
		GRN	J10-N	PIA-J1	TWP			BRN	J3-2	PIB-GND	TWP			BRN	J15-P	P2A-L1	TWP			
		BLK	J10-11	PIA-GND	TWP			BLU	J3-C	PIB-E1	TWP			BLK	J15-13	P2A-GND	TWP			
		BRN	J10-H	PIA-L1	TWP			BLK	J3-3	PIB-GND	TWP			GRN	J15-R	P2A-M1	TWP			
		BLK	J10-12	PIA-GND	TWP			ORN	J3-D	PIB-H1	TWP			WHT	J15-M	P2A-GND	TWP			
		GRN	J10-P	PIA-M1	TWP			BLK	J3-4	PIB-GND	TWP			ORN	J15-S	P2A-P1	TWP			
		WHT	J10-13	PIA-GND	TWP			GRN	J3-E	PIB-J1	TWP			WHT	J15-15	P2A-GND	TWP			
		ORN	J10-R	PIA-P1	TWP			BLK	J3-5	PIB-GND	TWP			RED	J15-T	P2A-V2	TWP			
		WHT	J10-14	PIA-GND	TWP			BRN	J3-F	PIB-L1	TWP			ORN	J15-16	P2A-GND	TWP			
		GRY	J10-S	PIA-S1	TWP			BLK	J3-6	PIB-GND	TWP			RED	J15-U	P2A-T2	TWP			
		BLK	J10-15	PIA-GND	TWP			GRN	J3-P	PIB-M1	TWP			GRN	J15-17	P2A-GND	TWP			
		RED	J10-T	PIA-V2	TWP			WHT	J3-13	PIB-GND	TWP			YEL	J15-18	P2A-GND	TWP			
		ORN	J10-16	PIA-GND	TWP			RED	J3-R	PIB-V2	TWP			ORN	J15-X	P2A-P2	TWP			
		RED	J10-U	PIA-T2	TWP			ORN	J3-14	PIB-GND	TWP			YEL	J15-20	P2A-GND	TWP			
		GRN	J10-17	PIA-GND	TWP			RED	J3-5	PIB-T2	TWP			YEL	J15-Y	P2A-M2	TWP			
		GRN	J10-V	PIA-S2	TWP			GRN	J3-15	PIB-GND	TWP			BLU	J15-21	P2A-GND	TWP			
		YEL	J10-18	PIA-GND	TWP			GRN	J3-7	PIB-S2	TWP			RED	J15-Z	P2A-K2	TWP			
		ORN	J10-18	PIA-P2	TWP			YEL	J3-16	PIB-GND	TWP			BLU	J15-22	P2A-GND	TWP			
		YEL	J10-19	PIA-GND	TWP			ORN	J3-U	PIB-P2	TWP			BLU	J15-AA	P2A-H2	TWP			
		YEL	J10-X	PIA-M2	TWP			YEL	J3-17	PIB-GND	TWP			WHT	J15-23	P2A-GND	TWP			
		BLU	J10-20	PIA-GND	TWP			YEL	J3-V	PIB-M2	TWP			GRY	J15-B8	P2A-E2	TWP			
		RED	J10-Y	PIA-K2	TWP			BLU	J3-18	PIB-GND	TWP			2	24	WHT	J15-29	P2A-GND	TWP	
		BLU	J10-21	PIA-GND	TWP			RED	J3-W	PIB-K2	TWP									
		BLU	J10-21	PIA-GND	TWP			BLU	J3-19	PIB-GND	TWP									
		BLU	J10-Z	PIA-H2	TWP			RED	J15-J	P2A-B1	TWP									
2	24	WHT	J10-22	PIA-GND	TWP			GRY	J15-B	P2A-GND	TWP									
								BLU	J3-N	PIB-P1	TWP									
								WHT	J3-12	PIB-GND	TWP									
								GRY	J3-M	PIB-E2	TWP									
								WHT	J3-11	PIB-GND	TWP									
								BRN	J3-L	PIB-H2	TWP									
2	24	WHT	J3-12	PIB-GND	TWP			2	24	WHT	J3-12	PIB-GND	TWP							

REVISIONS  
CHANGE NO.  
REV.

FIRST USE	QTY	DESCRIPTION	PART NO.	ITEM NO.
PDR				
UNLESS OTHERWISE SPECIFIED				
TOLERANCES		DECIMALS	ANGLES	
XXX 005		0.030		
REMOVE BURRS AND BREAK SHARP CORNERS SURFACE QUALITY				
MATERIAL		NEXT HIGHER ASSY		
FINISH		SCALE NONE		
SHEET 2 OF 2		DIST		
DATE 12-1-73		DATE 1-17-73		
CHK'D		DATE 1-17-73		
ENG		DATE 1-17-73		
PROJ ENG		DATE 1-17-73		
PROJ		DATE 1-17-73		
DATE 1-17-73		DATE 1-17-73		
TITLE		MT-CABLE ASSY		
SIZE CODE		NUMBER		
C-UA-TR79-F-0		DIA 7000156-0-0		
REV		REV		
B		B		



This drawing and specifications, herein, are the property of Digital Equipment Corporation and shall not be reproduced or copied or used in whole or in part in any manner for the manufacture or sale of items without written permission.

DIGITAL EQUIPMENT CORPORATION

DITD TR79-F-120 2

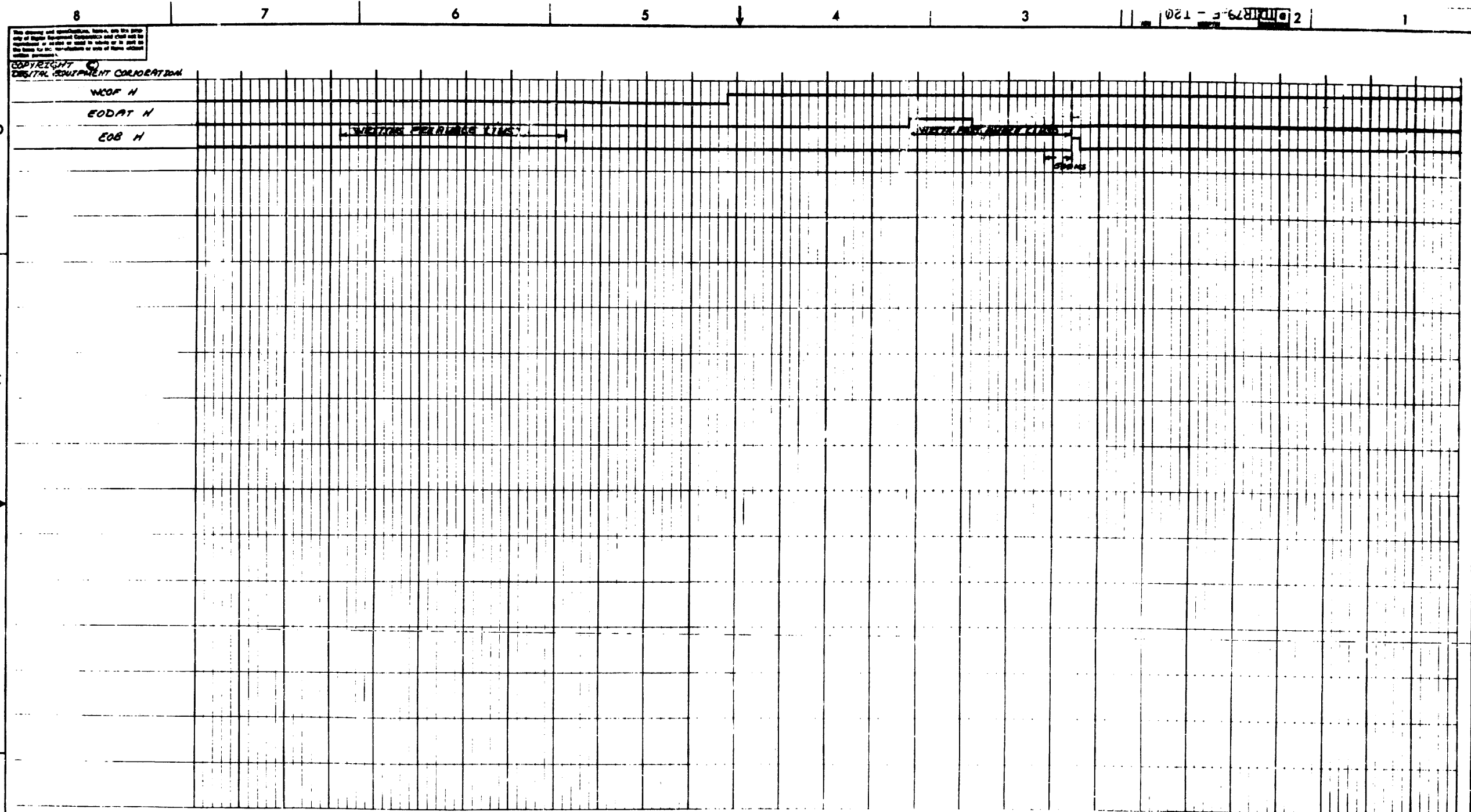
REV	
CHG	
REV	
CHG	

FIRST USE MODEL	QTY.	DESCRIPTION	PART NO.	ITEM NO.
PDP-11				
UNLESS OTHERWISE SPECIFIED DIMENSIONS IN INCHES: 1/16" ANGLES				
DECIMALS	ANGLES	PARTS LIST		
XXX - 000	± 0' 30"	DATE	EQUIPMENT CORPORATION	
XX - 00		CHK'D	DATE	
X - 0		ENG.	DATE	
		PROJ. ENG.	DATE	
		DATE	DATE	
REMOVE BURRS AND BREAK SHARP CORNERS SURFACE QUALITY				
MATERIAL	NEXT HIGHER ASSY			
FINISH	A-ML-TR79 - F	SCALE	NONE	
		SHEET	1 OF 2	
		DIST.		

WRITE TIMING

DITD TR79-F-T20





This drawing and specifications, herein, are the property of Digital Equipment Corporation and shall not be reproduced or used in whole or in part in any manner for the manufacture or sale of items without the written permission of Digital Equipment Corporation.

COPYRIGHT ©  
DIGITAL EQUIPMENT CORPORATION

WCOF H  
EODAT H  
EOB H

WRITE PERIODS

WRITE PERIODS

REV	NO
1	1
2	1
3	1
4	1
5	1
6	1
7	1
8	1

FIRST USED ON OPTION/MODEL PDP-11	QTY.	DESCRIPTION	PART NO.
PARTS LIST			
UNLESS OTHERWISE SPECIFIED DIMENSION IN INCHES TOLERANCES	DATE 11-17-73	EQUIPMENT CORPORATION	
DECIMALS	CHK'D.	TITLE	
ANGLES	DATE	WRITE TIMING	
XXX - 006	ENG.	DATE	
XX - 02	PROJ. ENG.	DATE	
X - 1	DATE	DATE	
REMOVE BURRS AND BREAK SHARP CORNERS SURFACE QUALITY	DATE	DATE	
MATERIAL	DATE	DATE	
FINISH	DATE	DATE	
	A-M-L-TR79-F	SIZE CODE	NUMBER
	SCALE NONE	D/TD	TR79-F-T20
	SHEET 2 OF 2	DNST.	

PDP-11-TR79-F-T20




This drawing and specifications, herein, are the property of Digital Equipment Corporation and shall not be reproduced or copied or used in whole or in part as the basis for the manufacture or sale of items without written permission.

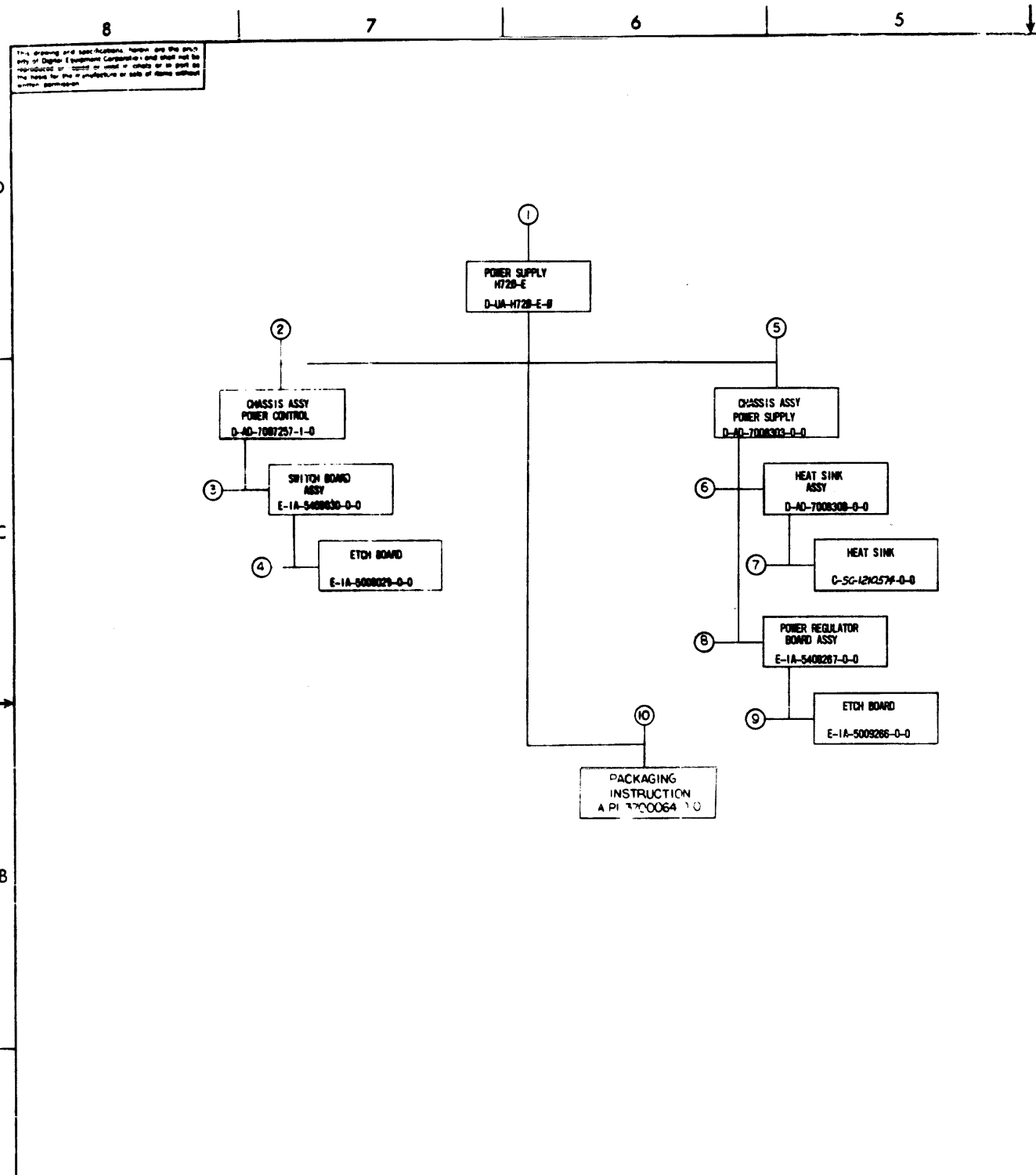
COPYRIGHT © 1973  
DIGITAL EQUIPMENT CORPORATION.

REV. C  
NUMBER KWL TR79-F-T21

REVISIONS	CHANGE NO.	REV.
1	TR79F-0001	A
J. Chantler 6-27-73		
DUANE		
E. Duane 7/9/73		
2	TR79F-000002	B
S. Kozlowski 10-15-74		
S. KOZIOI		
Steve Kozioi 10-17-74		
3	TR79F-00003	C
S. Mandel 3-5-75		
S. KOZIOI		
Steve Kozioi 3/19/75		

FIRST USED ON OPTION/MODEL	QTY.	DESCRIPTION	PART NO.	ITEM NO.
PDP-11				
PARTS LIST				
DRN KITAZI BUREAU	DATE 10-5-72	 <b>digital</b> EQUIPMENT CORPORATION <small>MAYNARD, MASSACHUSETTS</small>		
CHK'D. Raymond	DATE 1-17-73			
ENG. R. H. Duane	DATE 1-18-73			
PROJ. ENG. R. H. Duane	DATE 1-18-73			
PROD. S. Kozioi	DATE 1-22-73			
NEXT HIGHER ASSEMBLY		TITLE <b>WIRE LIST</b> (H7970 ETCU TO PDP11 INTERFACE)		
D-AD-7009104-0-0		SIZE CODE K WL	NUMBER TR79-F-T21	REV. C
SCALE NONE		DIST.		
SHEET 1 OF 1				

DEC. FORM NO. DR3 109



MECHANICAL				ELECTRICAL			
IND NO.	DESCRIPTION	PART NO.	DEPT USAGE	IND NO.	DESCRIPTION	PART NO.	DEPT USAGE
1	POWER SUPPLY H720-E POWER SUPPLY H720-E (PL)	D-40-H720-E-0 A-PL-H720-E-0		1	H720-E CIRCUIT SCHEMATIC	D-CS-H720-E-1	
2	CHASSIS ASSY POWER CONTROL CHASSIS ASSY POWER CONTROL (PL) CHASSIS POWER CONTROL BRACKET RELAY BRACKET SUPPORT JUMPER JUMPER	D-40-7007257-1-0 A-PL-7007257-1-0 D-1A-5308382-0-0 B-1A-5308388-0-0 C-4D-5108521-0-0 B-1A-7007008-1-0 B-1A-7007008-2-0		3	CIRCUIT SCHEMATIC	B-CS-5409030-0-1	
3	SWITCH BOARD ASSY X-Y COORDINATE HOLE LOC MODULE E.C.D. HISTORY	E-1A-5408267-0-0 K-CD-5408267-0-4 B-MH-5408267-0-6		4	P.C. LAYOUT	PC-5009029-0-1	
4	ETCH BOARD P.C. LAYOUT	E-1A-5009229-0-0 PC-5009029-0-1		8	CIRCUIT SCHEMATIC	D-CS-5408267-0-1	
5	CHASSIS ASSY POWER SUPPLY CHASSIS ASSY POWER SUPPLY (PL) CHASSIS POWER SUPPLY BRACKET CAPACITOR BLOCK MODULE SUPPORT BRACKET SUPPORT	D-40-7008303-0-0 A-PL-7008303-0-0 E-1A-5308383-0-0 D-1A-5308385-0-0 B-4D-5308389-0-0 C-4D-5308521-0-0		9	P.C. LAYOUT	PC-5009266-0-1	
6	HEAT SINK ASSY HEAT SINK ASSY (PL) COIL TRANSFORMER	D-40-7008308-0-0 A-PL-7008308-0-0 C-SC-1809782-0-0					
7	HEAT SINK BUSHING	C-5G-12K2574-0-0 A-PS-1209475-0-0					
8	POWER REGULATOR BOARD ASSY X-Y COORDINATE HOLE LOC MODULE E.C.D. HISTORY	E-1A-5408267-0-0 K-CD-5408267-0-4 B-MH-5408267-0-6					
9	ETCH BOARD P.C. LAYOUT	E-1A-5009226-0-0 PC-5009226-0-1					
10	PACKAGING INSTRUCTION RSC BOX DIE-CUT BOTTOM SHEET DIE-CUT FLANGED SHEET SCORED SHEET REVERSE SCORED SHEET TOP PAD YELLOW/WHITE INTER SHIPPING CARTON	A-PI-3700064-0-0 A-PS-990572-0-0 A-PS-990573-0-0 A-PS-990574-0-0 A-PS-990575-0-0 A-PS-990576-0-0 A-PS-990577-0-0 A-PS-990578-0-0					

REV	DATE	BY	CHKD
1	11/15/74	W. VARTANIAN	
2	11/15/74	L. W. RICE	
3	11/15/74		
4	11/15/74		

DATE	BY	CHKD
11/15/74	W. VARTANIAN	
11/15/74	L. W. RICE	
11/15/74		
11/15/74		

digital EQUIPMENT CORPORATION  
MAYNARD MASSACHUSETTS

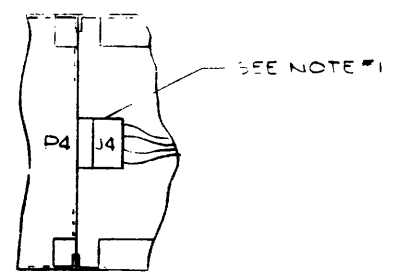
TITLE  
**DRAWING INDEX LIST**

SCALE: 1:1  
SHEET 2 OF 2

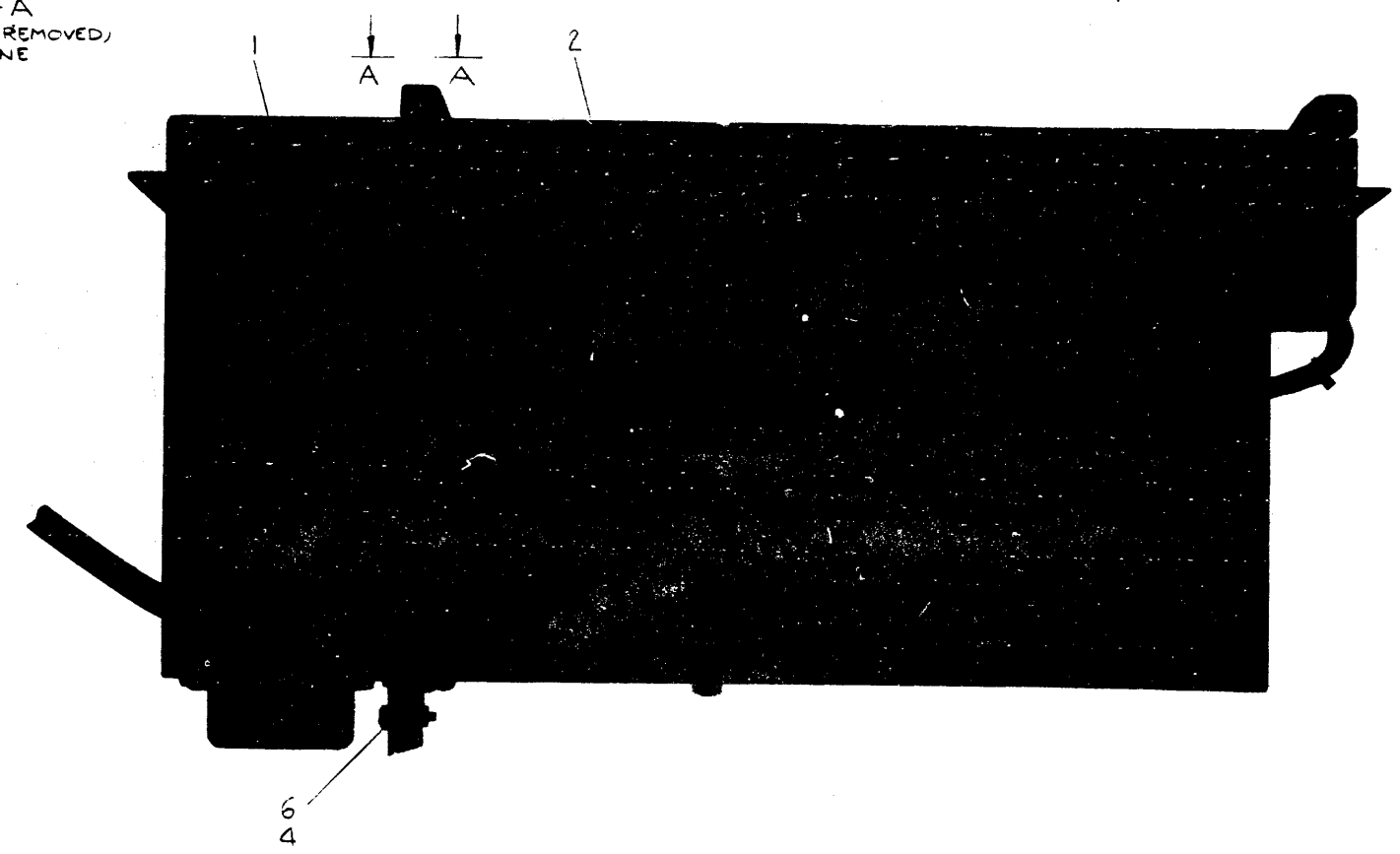
This drawing and specifications remain the property of Digital Equipment Corporation and shall not be reproduced or copied in whole or in part or the basis for the manufacture or sale of items without written permission.

0-E-000-710 2

- NOTES:
- CONNECTORS MARKED J4 & P4 ARE TO BE CONNECTED BEFORE ASSEMBLING ITEM #1 TO ITEM #2.
  - FOR DWG INDEX LIST REFER TO DWG D-DI-H720-E-2.



VIEW A-A  
(WITH COVER REMOVED)  
SCALE: NONE



REV	DATE	BY	CHKD	DESCRIPTION
1	5-23-74	LAWRENCE		REVISED TO 000001
2	5-23-74	WEEKS		REVISED TO 000002
3	5-23-74	WEEKS		REVISED TO 000003
4	5-23-74	WEEKS		REVISED TO 000004
5	5-23-74	WEEKS		REVISED TO 000005
6	5-23-74	WEEKS		REVISED TO 000006
7	5-23-74	WEEKS		REVISED TO 000007
8	5-23-74	WEEKS		REVISED TO 000008

FIRST USED ON OPTION / MODEL

DO NOT SCALE DRAWING  
UNLESS OTHERWISE SPECIFIED  
DIMENSION IN INCHES  
TOLERANCES  
DECIMALS FRACTIONS ANGLES  
= .005 ± 1/64 ± 0°30'  
FINAL SURFACE QUALITY 1  
REMOVE BURRS AND BREAK SHARP CORNERS

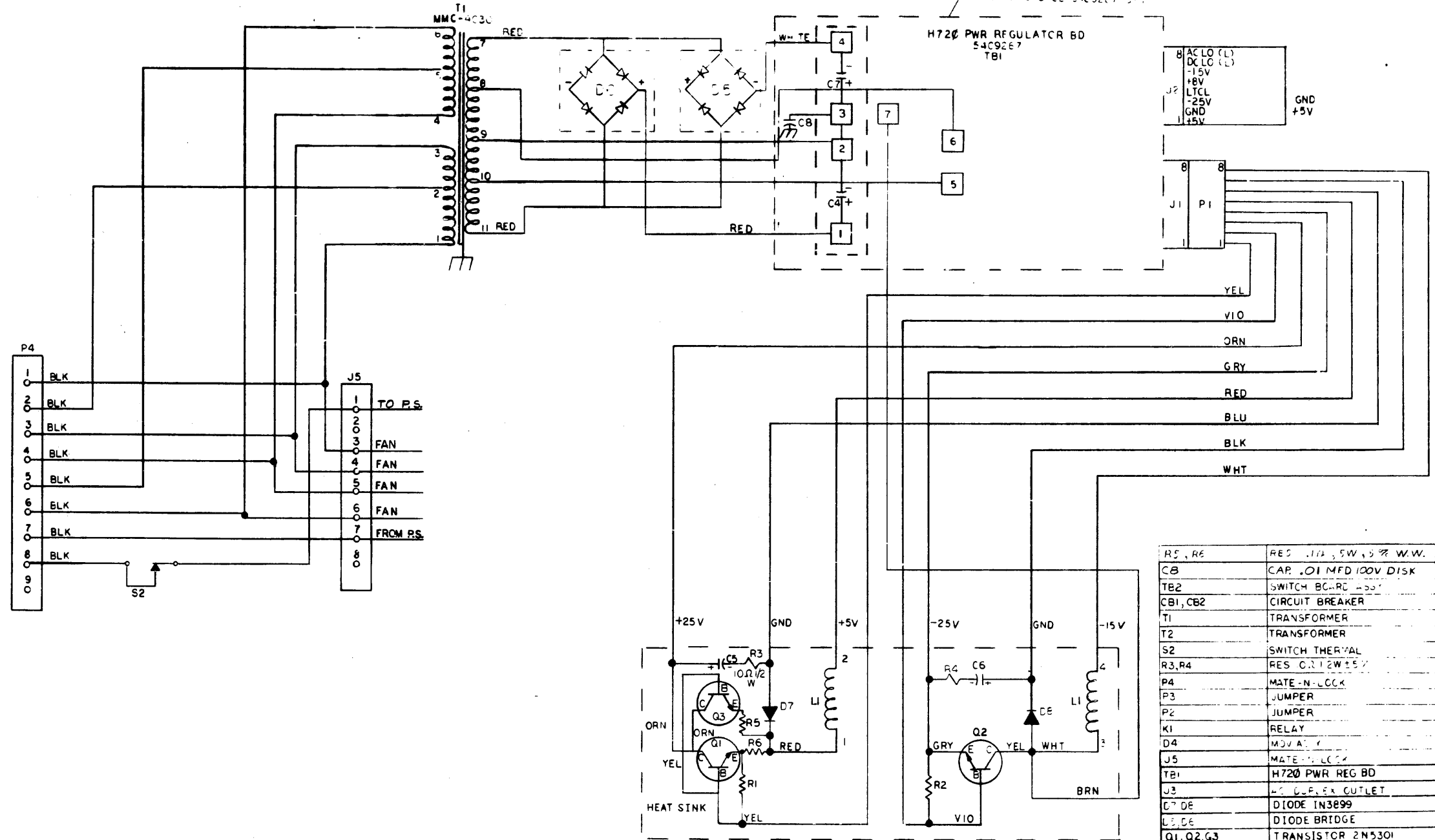
QTY.	DESCRIPTION	PART NO.	ITEM NO.
	PARTS LIST		
	EQUIPMENT CORPORATION MAYFIELD, MASSACHUSETTS		
	TITLE POWER SUPPLY H720-E		
	DRAWING NO. DUAH720-E-0		
	SHEET 1 OF 1		

PART NO. DUAH720-E-0



THIS SCHEMATIC IS FURNISHED ONLY FOR TEST AND MAINTENANCE PURPOSES. THE CIRCUITS ARE PROPRIETARY IN NATURE AND SHOULD BE TREATED ACCORDINGLY. COPYRIGHT 1971 BY BENTON ELECTRONIC CORPORATION.

FOR CIRCUIT SCHEMATIC  
SEE DWS D-CS-5405267-0-1

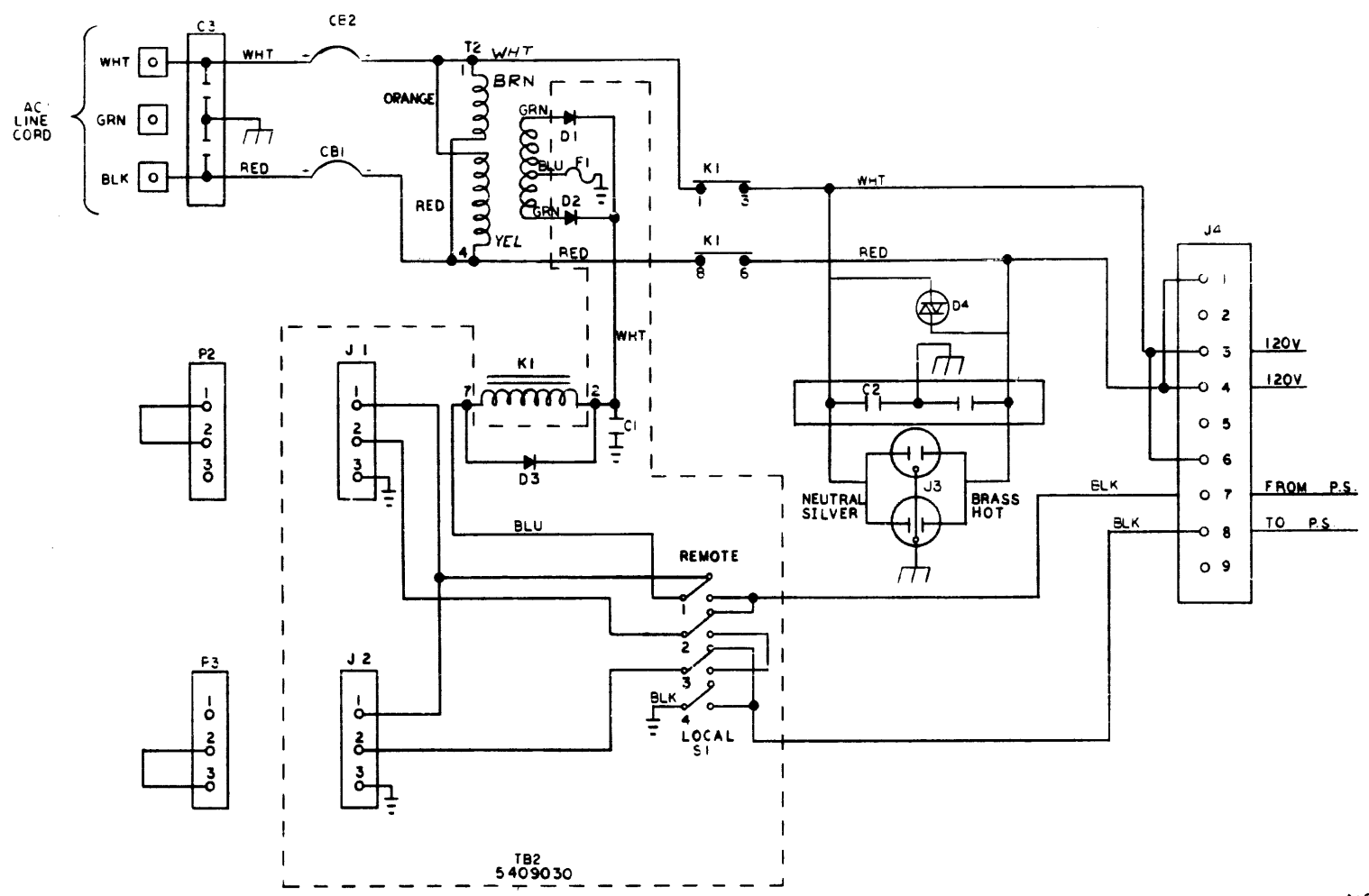


R5, R6	RES .1W .5W .5% W.W.	1105972
C8	CAP .01 MFD 100V DISK	1001610
TB2	SWITCH BC-RC 450V	540-030
CB1, CB2	CIRCUIT BREAKER	1210191-0
T1	TRANSFORMER	1610284
T2	TRANSFORMER	1610150-0
S2	SWITCH THERMAL	210159
R3, R4	RES .01W 5% W.W.	1302558
P4	MATE-N-LOCK	1205351-09
P2	JUMPER	1007006-1
P1	JUMPER	1007006-2
K1	RELAY	1210277
D4	DIODE	1109781
J5	MATE-N-LOCK	1205351-09
TBI	H720 PWR REG BD	540-030
J3	AC COUPLEX OUTLET	1205351-09
D7, D8	DIODE IN3899	1109781
D5, D6	DIODE BRIDGE	1109781
Q1, Q2, Q3	TRANSISTOR 2N5301	1509730
R1, R2	RES .27W 5% CC	1302558
C5, C6	CAP .1MFD 150V	1000063
C7	CAP. 22000 MFD 50V	1009189
C2, C3	CAP. 2X.1MFD 1000V	1002153
P1	CONNECTOR 1A80460-C	120934001
L4	TRANSFORMER COIL	1609762
L1	TRANSFORMER COIL	1609762

SHEET 1 OF 2

REV.	DATE	TRANSISTOR & DIODE CONVERSION CHART		REV.	DATE	POWER SUPPLY H720-E	
		OLD	NEW			REV.	DATE
1	11/18/71	2N5301	2N5301	1	11/18/71	D	H720-E-1
2	11/18/71	IN3899	IN3899				

THIS SCHEMATIC IS FURNISHED ONLY FOR LIST AND MAINTENANCE PURPOSES. THE CIRCUITS ARE PROPRIETARY IN NATURE AND SHOULD BE TREATED ACCORDINGLY. COPYRIGHT © 1971 BY DIGITAL EQUIPMENT CORPORATION.



FOR CIRCUIT SCHEMATIC  
SEE DWG # B-CS-5409030-0-1

NOTES:  
J4 SHOWN WIRED FOR 117 V. INPUT;  
FOR 102 V. INPUT TAKE JUMPER FROM  
J4-1 AND INSERT IT IN J4-2 AND  
TAKE JUMPER FROM J4-6 AND INSERT  
IT IN J4-5.

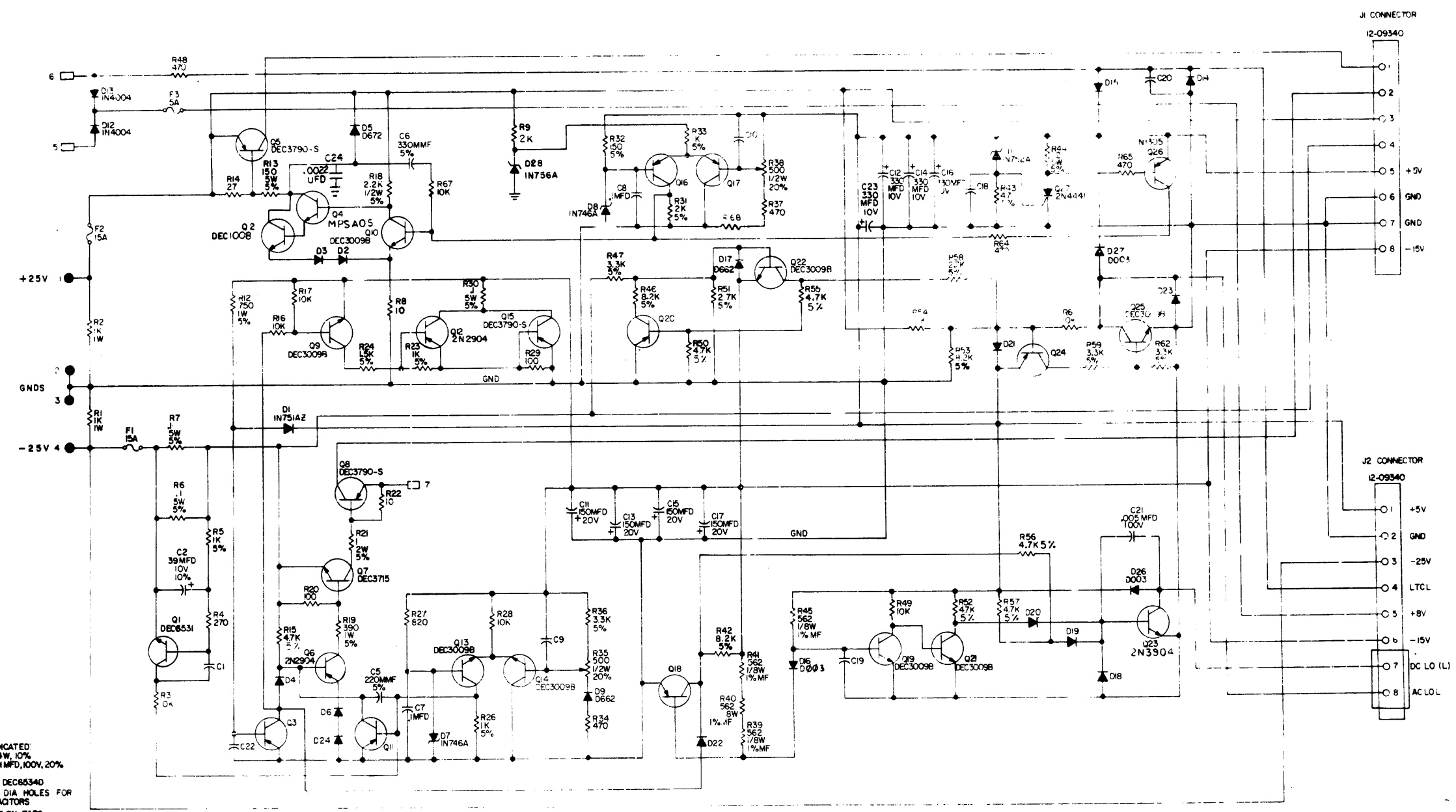
SHEET 2 OF 2

REVISIONS		DATE	TRANSISTOR & DIODE CONVERSION CHART		TITLE	
1	DATE	DEC	EM	DEC	EM	POWER SUPPLY H720-E
2	DATE	DEC	EM	DEC	EM	
3	DATE	DEC	EM	DEC	EM	
4	DATE	DEC	EM	DEC	EM	
5	DATE	DEC	EM	DEC	EM	
6	DATE	DEC	EM	DEC	EM	
7	DATE	DEC	EM	DEC	EM	
8	DATE	DEC	EM	DEC	EM	
9	DATE	DEC	EM	DEC	EM	
10	DATE	DEC	EM	DEC	EM	





UNLESS OTHERWISE INDICATED:  
RESISTORS ARE 1/4W, 10%  
CAPACITORS ARE 0.1MFD, 100V, 20%  
DIODES ARE D664  
TRANSISTORS ARE DEC6534D  
● INDICATES 1/16" DIA HOLES FOR MOUNTING CAPACITORS  
□ INDICATES FAST ON TABS  
R68 THERMISTOR 100A @25°C



UNLESS OTHERWISE INDICATED:  
RESISTORS ARE 1/4W, 10%  
CAPACITORS ARE 0.1MFD, 100V, 20%  
DIODES ARE D664  
TRANSISTORS ARE DEC6534D  
● INDICATES 1/16" DIA HOLES FOR MOUNTING CAPACITORS  
□ INDICATES FAST ON TABS  
R68 THERMISTOR 100A @25°C

ITEM NO.	DESCRIPTION	QUANTITY	UNIT
1	RESISTOR 10K	10	RES
2	RESISTOR 1K	5	RES
3	RESISTOR 100K	2	RES
4	RESISTOR 100	1	RES
5	RESISTOR 10K	1	RES
6	RESISTOR 10K	1	RES
7	RESISTOR 10K	1	RES
8	RESISTOR 10K	1	RES
9	RESISTOR 10K	1	RES
10	RESISTOR 10K	1	RES
11	RESISTOR 10K	1	RES
12	RESISTOR 10K	1	RES
13	RESISTOR 10K	1	RES
14	RESISTOR 10K	1	RES
15	RESISTOR 10K	1	RES
16	RESISTOR 10K	1	RES
17	RESISTOR 10K	1	RES
18	RESISTOR 10K	1	RES
19	RESISTOR 10K	1	RES
20	RESISTOR 10K	1	RES
21	RESISTOR 10K	1	RES
22	RESISTOR 10K	1	RES
23	RESISTOR 10K	1	RES
24	RESISTOR 10K	1	RES
25	RESISTOR 10K	1	RES
26	RESISTOR 10K	1	RES
27	RESISTOR 10K	1	RES
28	RESISTOR 10K	1	RES
29	RESISTOR 10K	1	RES
30	RESISTOR 10K	1	RES
31	RESISTOR 10K	1	RES
32	RESISTOR 10K	1	RES
33	RESISTOR 10K	1	RES
34	RESISTOR 10K	1	RES
35	RESISTOR 10K	1	RES
36	RESISTOR 10K	1	RES
37	RESISTOR 10K	1	RES
38	RESISTOR 10K	1	RES
39	RESISTOR 10K	1	RES
40	RESISTOR 10K	1	RES
41	RESISTOR 10K	1	RES
42	RESISTOR 10K	1	RES
43	RESISTOR 10K	1	RES
44	RESISTOR 10K	1	RES
45	RESISTOR 10K	1	RES
46	RESISTOR 10K	1	RES
47	RESISTOR 10K	1	RES
48	RESISTOR 10K	1	RES
49	RESISTOR 10K	1	RES
50	RESISTOR 10K	1	RES
51	RESISTOR 10K	1	RES
52	RESISTOR 10K	1	RES
53	RESISTOR 10K	1	RES
54	RESISTOR 10K	1	RES
55	RESISTOR 10K	1	RES
56	RESISTOR 10K	1	RES
57	RESISTOR 10K	1	RES
58	RESISTOR 10K	1	RES
59	RESISTOR 10K	1	RES
60	RESISTOR 10K	1	RES
61	RESISTOR 10K	1	RES
62	RESISTOR 10K	1	RES
63	RESISTOR 10K	1	RES
64	RESISTOR 10K	1	RES
65	RESISTOR 10K	1	RES
66	RESISTOR 10K	1	RES
67	RESISTOR 10K	1	RES
68	RESISTOR 10K	1	RES
69	RESISTOR 10K	1	RES
70	RESISTOR 10K	1	RES
71	RESISTOR 10K	1	RES
72	RESISTOR 10K	1	RES
73	RESISTOR 10K	1	RES
74	RESISTOR 10K	1	RES
75	RESISTOR 10K	1	RES
76	RESISTOR 10K	1	RES
77	RESISTOR 10K	1	RES
78	RESISTOR 10K	1	RES
79	RESISTOR 10K	1	RES
80	RESISTOR 10K	1	RES
81	RESISTOR 10K	1	RES
82	RESISTOR 10K	1	RES
83	RESISTOR 10K	1	RES
84	RESISTOR 10K	1	RES
85	RESISTOR 10K	1	RES
86	RESISTOR 10K	1	RES
87	RESISTOR 10K	1	RES
88	RESISTOR 10K	1	RES
89	RESISTOR 10K	1	RES
90	RESISTOR 10K	1	RES
91	RESISTOR 10K	1	RES
92	RESISTOR 10K	1	RES
93	RESISTOR 10K	1	RES
94	RESISTOR 10K	1	RES
95	RESISTOR 10K	1	RES
96	RESISTOR 10K	1	RES
97	RESISTOR 10K	1	RES
98	RESISTOR 10K	1	RES
99	RESISTOR 10K	1	RES
100	RESISTOR 10K	1	RES

REGULATOR BOARD  
5409267

EQUIPMENT CORPORATION

DATE: 10/1/64  
REV: 1

PRINTED CIRCUIT BOARD

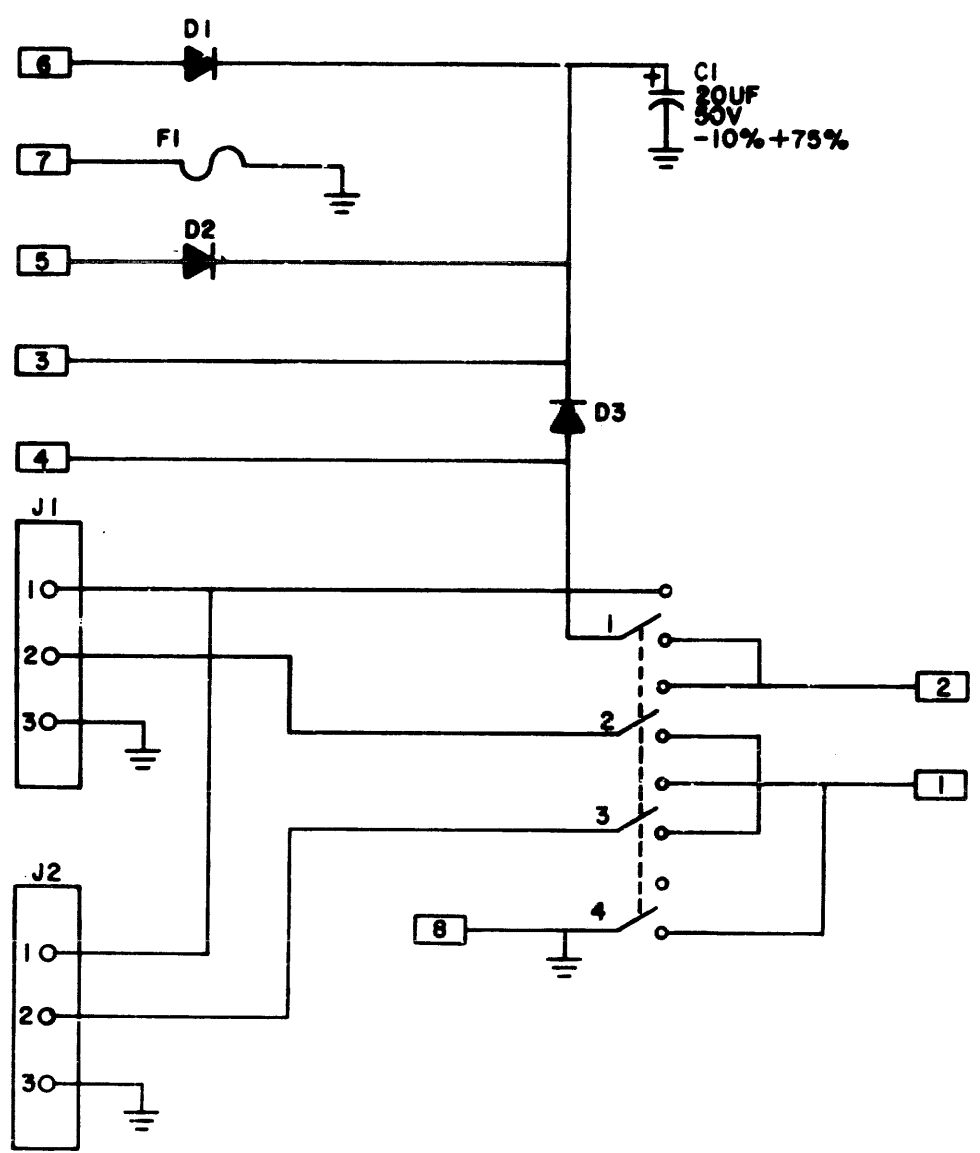
058

PINK



REV A  
 NUMBER 5409030-0-1  
 SIZE CODE B CS

THIS SCHEMATIC IS FURNISHED ONLY FOR TEST AND MAINTENANCE PURPOSES. THE CIRCUITS ARE PROPRIETARY IN NATURE AND SHOULD BE TREATED ACCORDINGLY. COPYRIGHT 1971 BY DIGITAL EQUIPMENT CORPORATION



UNLESS OTHERWISE INDICATED:  
 DIODES ARE 1N4001  
 F1 = 0.2 AMP (3AG) FUSE  
 CONNECTORS ARE 12-09379-01  
 □ = FASTON TABS

REVISIONS	CHK	CHG	NO	REV

DRN S. COOPER	DATE 3/10/71
CHK'D R. WALKER	DATE 3/17/71
ENG L. BROWN	DATE 3/17/71
PROJ	DATE

TRANSISTOR & DIODE CONVERSION CHART			
DEC	EIA	DEC	EIA
1N4001	MR-2064		

**DIGITAL**  
**EQUIPMENT CORPORATION**  
 MAYNARD, MASSACHUSETTS

TITLE POWER INTERLOCK			
SIZE B	CODE CS	NUMBER 5409030-0-1	REV A
PRINTED CIRCUIT REV			B

DEC FORM NO  
DRB 102

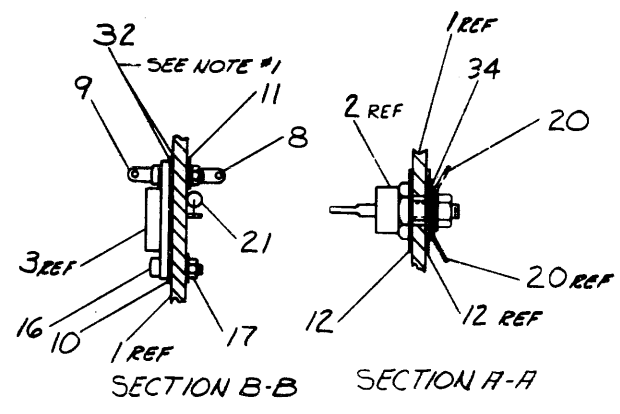
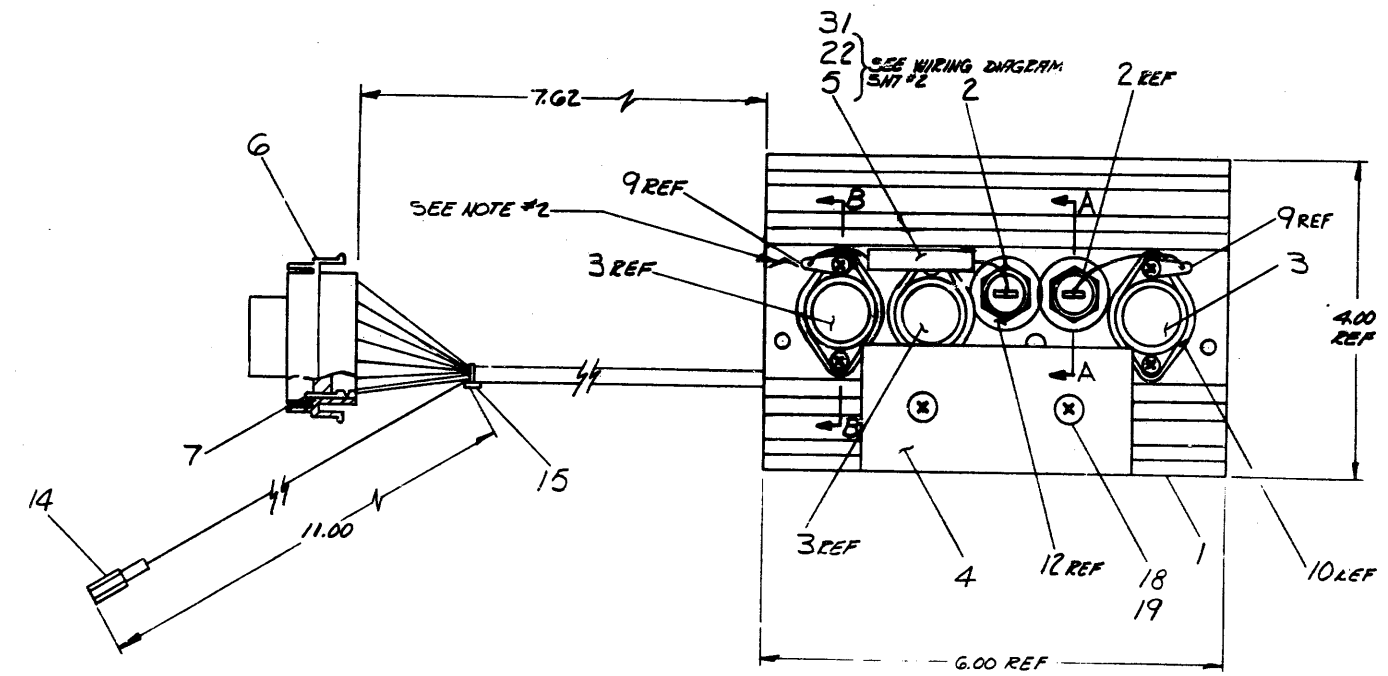
DIST 324 434.435

PINK

This drawing and specifications, herein, are the property of Digital Equipment Corporation and shall not be reproduced or copied in whole or in part on any basis for the manufacture or sale of items without written permission.

AD7008308-0-0-0 2

- NOTES:
1. APPLY ITEM # 32 (THERMAL COMPOUND) BETWEEN ITEM # 3 (TRANSISTOR) & ITEM # 10 (WASHER), ALSO BETWEEN ITEM # 10 (WASHER) & ITEM # 1 (HEAT SINK.)
  2. ORIENTATION MARK (A) TO BE LOCATED AS SHOWN WHEN ASSEMBLING UNIT.



REV	CHANGE NO	DATE	BY
A	H720-00026	2-14-73	R. WOLF
			R. WOLF

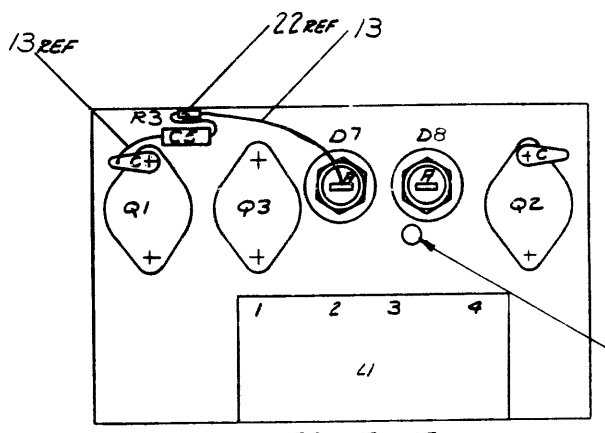
TOLERANCES DECIMALS

XXX	± .005
XX	± .02
X	± .1

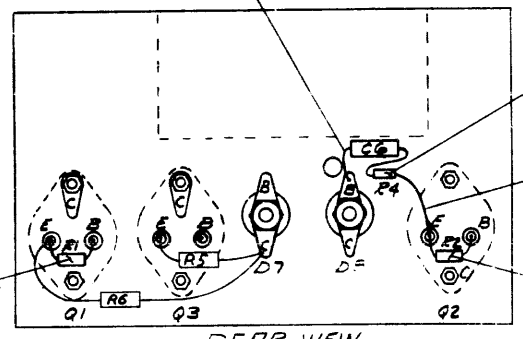
H720-E		QTY	DESCRIPTION	PART NO	ITEM NO
UNLESS OTHERWISE SPECIFIED		DRN	DATE	PARTS LIST	
UNLESS OTHERWISE SPECIFIED		CHK	DATE	digital EQUIPMENT CORPORATION	
DIMENSION IN INCHES		ENG	DATE	TITLE	
TOLERANCES		PROL ENG	DATE	HEAT SINK ASSY	
ANGLES		PROD	DATE	HEAT SINK ASSY	
FINAL SURFACE QUALITY		D-AD-7008303-0-0			
REMOVE BURRS AND BREAK SHARP CORNERS		SCALE			
MATERIAL		SHEET 1 OF 2			
FINISH		DIST. 1			
HEAT SINK ASSY		REV A			
D-AD-7008303-0-0		DAD7008308-0-0			

WIRE TABLE						
ITEM NO	DESCRIPTION	FROM	TO	WITH	CONN	WITH
4	16	WHT	L1-3		D8-A	SOLDER
27	18	YEL	D8-A	SOLDER	Q2-C	SOLDER
4	16	RED	L1-1		D7-B	SOLDER
4	16	RED	L1-2		P1-5	7
4	16	WHT	L1-4		P1-8	7
24	18	BRN	D8-A	SOLDER	F	14
26		ORN	Q1-C		P1-3	7
27		YEL	Q3-B		P1-1	
28		BLU	D7-A		P1-6	
23		BLK	D8-C		P1-7	
29		VIO	Q2-B		P1-2	
30		GRY	Q2-E		P1-4	7
26		ORN	Q1-C	SOLDER	Q3-C	SOLDER
27	18	YEL	Q1-B	SOLDER	Q3-B	SOLDER

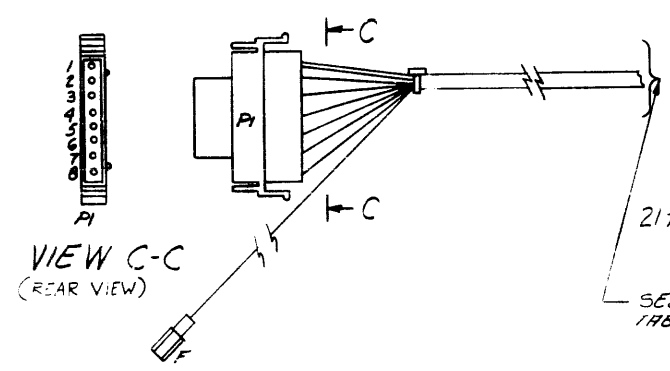
EXTERNAL COMPONENT LIST								
ITEM NO	DESCRIPTION	POL	FROM	WITH	POL	TO	WITH	REMARKS
5	CAP C5	POS	Q1-C	13	NEG	R3		ALL CONNECTIONS ARE TO BE SOLDERED
22	RES R3		C5			D7-A	13,31	
5	CAP C6	POS	D8-B	13	NEG	R4		
22	RES R4		C6			Q2-E	13,31	
21	RES R1		Q1-E			Q1-B		
21	RES R2		Q2-E			Q2-B		
33	RES R5		Q3-E			D7-C		
33	RES R6		Q1-E			D7-C		



THIS HOLE TO BE USED FOR LEADING ALL WIRES FROM FRONT TO THE REAR OF HEAT SINK



SEE WIRE TABLE & EXTERNAL COMPONENT TABLE FOR CONNECTIONS



QTY	DESCRIPTION	PART NO	ITEM NO
PARTS LIST			
UNLESS OTHERWISE SPECIFIED		DRN	DATE
UNLESS OTHERWISE SPECIFIED		CHKD	DATE
DIMENSION IN INCHES		ENR	DATE
TOLERANCES		PROJ. ENG.	DATE
DECIMALS FRACTIONS ANGLES		PROD.	DATE
± .005 ± .010 ± .015		FIRST USED ON	
FINAL SURFACE QUALITY		SCALE	
REMOVE BURRS AND BREAK SHARP CORNERS		SHEET	
MATERIAL		PARTS LIST	
FINISH		digital EQUIPMENT CORPORATION	
		HEAT SINK ASSY	
		SIZE CODE	NUMBER
		DAD	7008308-0-0
		DIST.	A

DIGITAL EQUIPMENT CORPORATION  
MAYNARD, MASSACHUSETTS

PARTS LIST

MADE BY G. FLANDERS  
DATE 2/1/71  
ENG C R B  
DATE 5/25/71  
CHECKED J. FLEMING  
DATE 5/20/71  
PROD DON CALL  
DATE 5/26/71  
SECTION 1  
ISSUED SECT. 1

ITEM NO.	DWG NO. / PART NO.	DESCRIPTION	QUANTITY / VARIATION
1	C-SC-1210874-0-0	HEAT SINK	1
2	1092781	DIODE IN3899	2
3	1509737	TRANSISTOR 2N5301	3
4	C-SC-1609762-0-0	COIL TRANSFORMER	1
5	1000063	CAPACITOR 1 MED 150 VDC	2
6	1209340-00	CONNECTOR #1-480460-0 MATE-N-LOCK	1
7	1209378-01	PIN #60620-4 AMP	8
8	9006760	TERMINAL #2104-06-00 SHAKEPROOF	2
9	9006762	TERMINAL #2103-06-00 SHAKEPROOF	2
10	9006721	INSULATING WASHER #294457	3
11	9007951	NYLON SHOULDER WASHER	6
12	9006425	INSULATING WASHER	4
13	9107256-09	#22 TEFLON TUBING WHT	A/R
14	9007917	SOLDERLESS CONN #50902 ARKLESS	1
15	9007031	TIE WRAP #SST-1-B PANDUIT	5
16	9007793-1	SCR PHL HD PAN #6-32 X 9/16 LG SST	6
17	06560	NUT KEPS #6-32 SST	6
18	9006080-3	SCR PHL HD TRUSS #10-32X1-3/4 LG	2
19	9007651	LOCK WASHER #10 EXT TOOTH	2
20	9006764	TERMINAL #2101-14-00 SHAKEPROOF	4
21	1302558	RESISTOR 27 W.C. 5%	2
22	1300168	RESISTOR 10 WI 5%	2

TITLE

HEAT SINK ASSY

ASSY NO.  
D-AD-7008308-0-0

SHEET 1 OF 2

SIZE CODE  
A PL

DIST. G

NUMBER  
7008308-0-0

REV. ECO NO.  
A  
H720-00026

DEC FORM DEC 16-(325)-1031-N870  
DRA 110

DIGITAL EQUIPMENT CORPORATION  
MAYNARD, MASSACHUSETTS

PARTS LIST

MADE BY G. FLANDERS  
DATE 2/1/71  
ENG  
DATE  
CHECKED  
DATE  
PROD  
DATE  
SECTION 1  
ISSUED SECT. 1

ITEM NO.	DWG NO. / PART NO.	DESCRIPTION	QUANTITY / VARIATION
23	9107360-00	#18 AWG STRD TEF INS WIRE BLK	A/R
24	9107360-11	#18 AWG STRD TEF INS WIRE BRN	A/R
25	<del>9107360-12</del>	<del>#18 AWG STRD TEF INS WIRE RED</del>	A/R
26	9107360-33	#19 AWG STRD TEF INS WIRE ORN	A/R
27	9107360-44	#18 AWG STRD TEF INS WIRE YEL	A/R
28	9107360-66	#18 AWG STRD TEF INS WIRE BLU	A/R
29	9107360-77	#18 AWG STRD TEF INS WIRE VIO	A/R
30	9107360-88	#18 AWG STRD TEF INS WIRE GRY	A/R
31	9107252	HEAT SHRINKABLE TUBING 3/8 WHT	A/R
32	9008268	COMPOUND, THERMAL JOINT	A/R
33	1305372	RESISTOR .1Ω, 5W, 5%	2
34	9006669	FLAT WASHER	2

TITLE

HEAT SINK ASS'Y

ASSY NO.  
D-AD-7008308-0-0

SHEET 2 OF 2

SIZE CODE  
A PL

DIST. G

NUMBER  
7008308-0-0

REV. ECO NO.  
A

DEC FORM DEC 16-(325)-1031-N870  
DRA 110



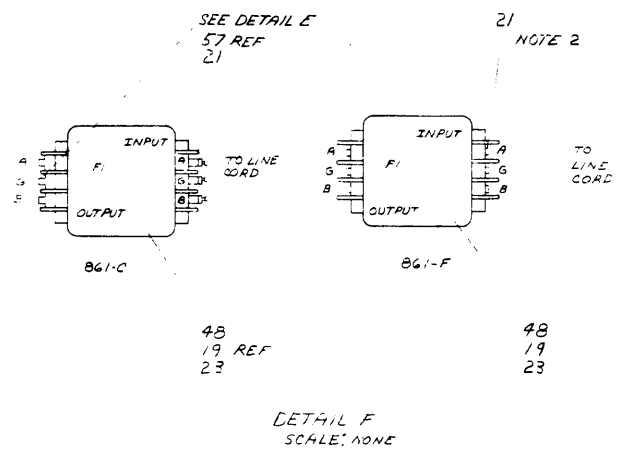


WIRE TABLE 861-A

WIRE TABLE 861-B

WIRE TABLE 861-C

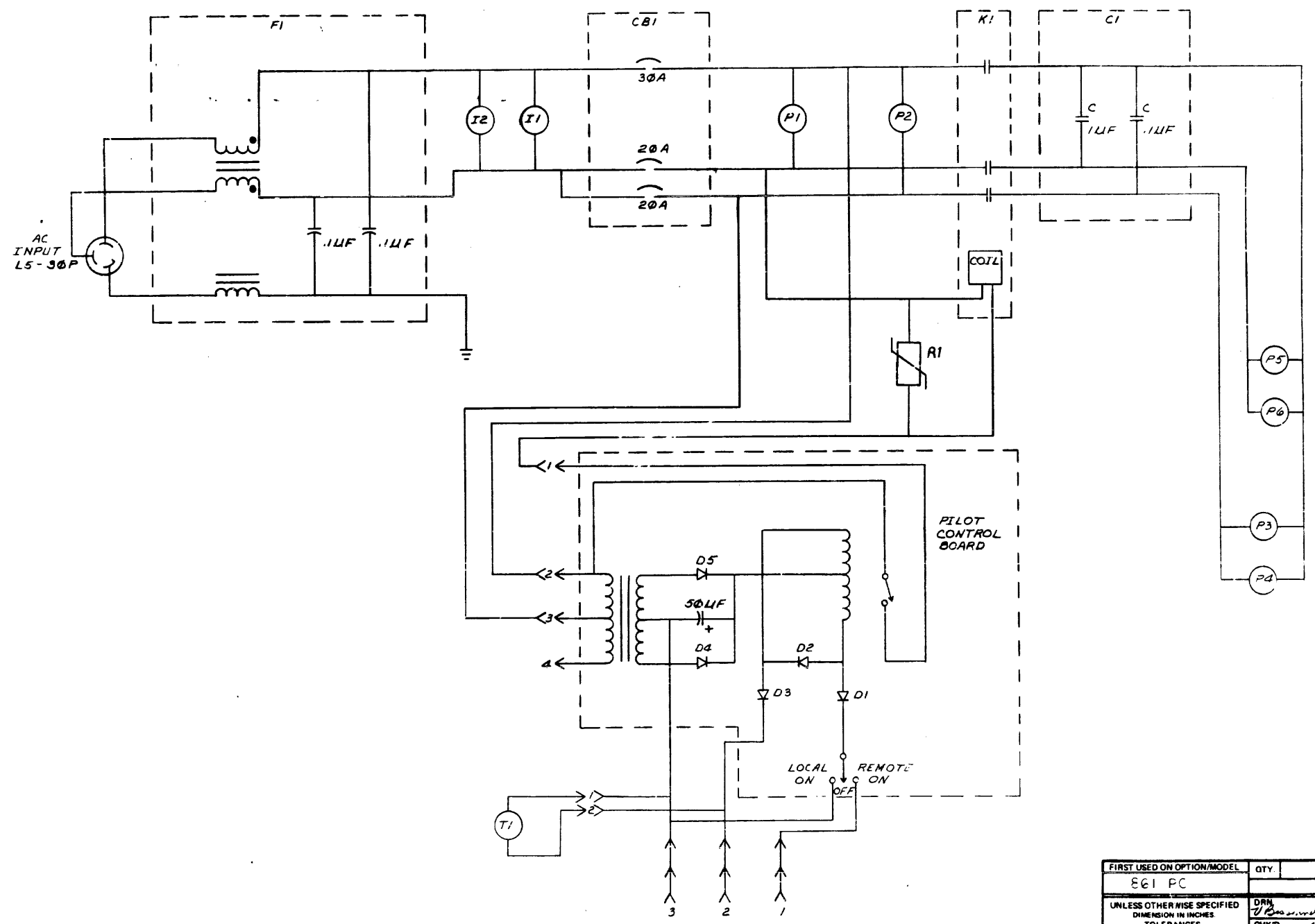
WIRE TABLE 861-F



NOTES: 1. ITEM 27 \*G EXT TOOTH WASHER MUST BE BET VEEN CHASSIS AND MOUNTING TAB OF RECTANGLE (PI-10)...

Technical drawing header table with columns for description, dimensions, and quantity.

All drawings and specifications herein are the property of Digital Equipment Corporation and shall not be reproduced or copied in whole or in part as the basis for the manufacture or sale of items without written permission.



REV	CHANGE NO	DATE	BY	CHK
1	000006	12-10-72		
2	000009	12-10-72		

DESIGNED BY: R. KENNEDY  
 CHECKED BY: R. KENNEDY

FIRST USED ON OPTION/MODEL	QTY	DESCRIPTION	PART NO.	ITEM NO.
861 PC				
PARTS LIST				
UNLESS OTHERWISE SPECIFIED DIMENSION IN INCHES	DRN J. B. Smith	DATE 7-12-72	DIGITAL EQUIPMENT CORPORATION 300 MASSACHUSETTS	
TOLERANCES	CHK'D J. Smith	DATE 10-2-72		
DECIMALS	ENG R. Smith	DATE 10-2-72	TITLE CIRCUIT SCHEMATIC 861-C P.C.	
ANGLES X = 1	PROV. ENG. Robert A. Cole	DATE 10-16-72		
REMOVE BURRS AND BREAK SHARP CORNERS SURFACE QUALITY	PROV. R. Smith	DATE 10-2-72	SIZE CODE DCS 861-C-1	
MATERIAL	NEXT HIGHER ASSY. B-DE-861-C	SCALE	NUMBER	REV.
FINISH	SHEET OF	DIST.		B

See drawing and specifications, levels, are the primary of higher standards...

NOTES:

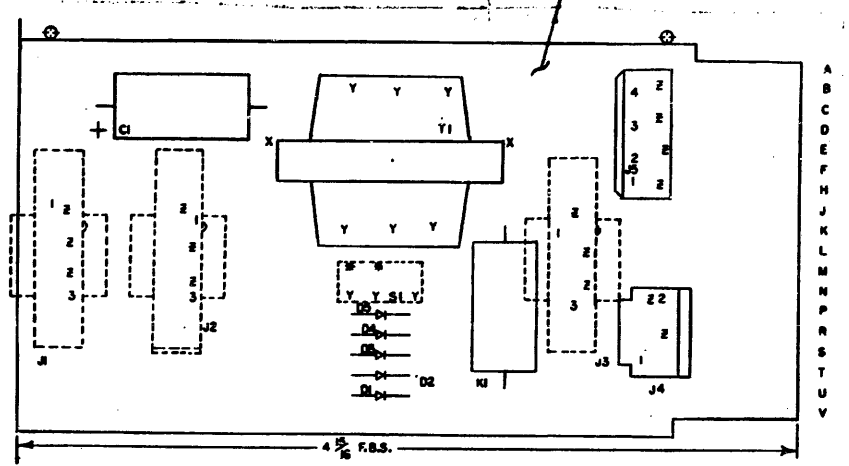
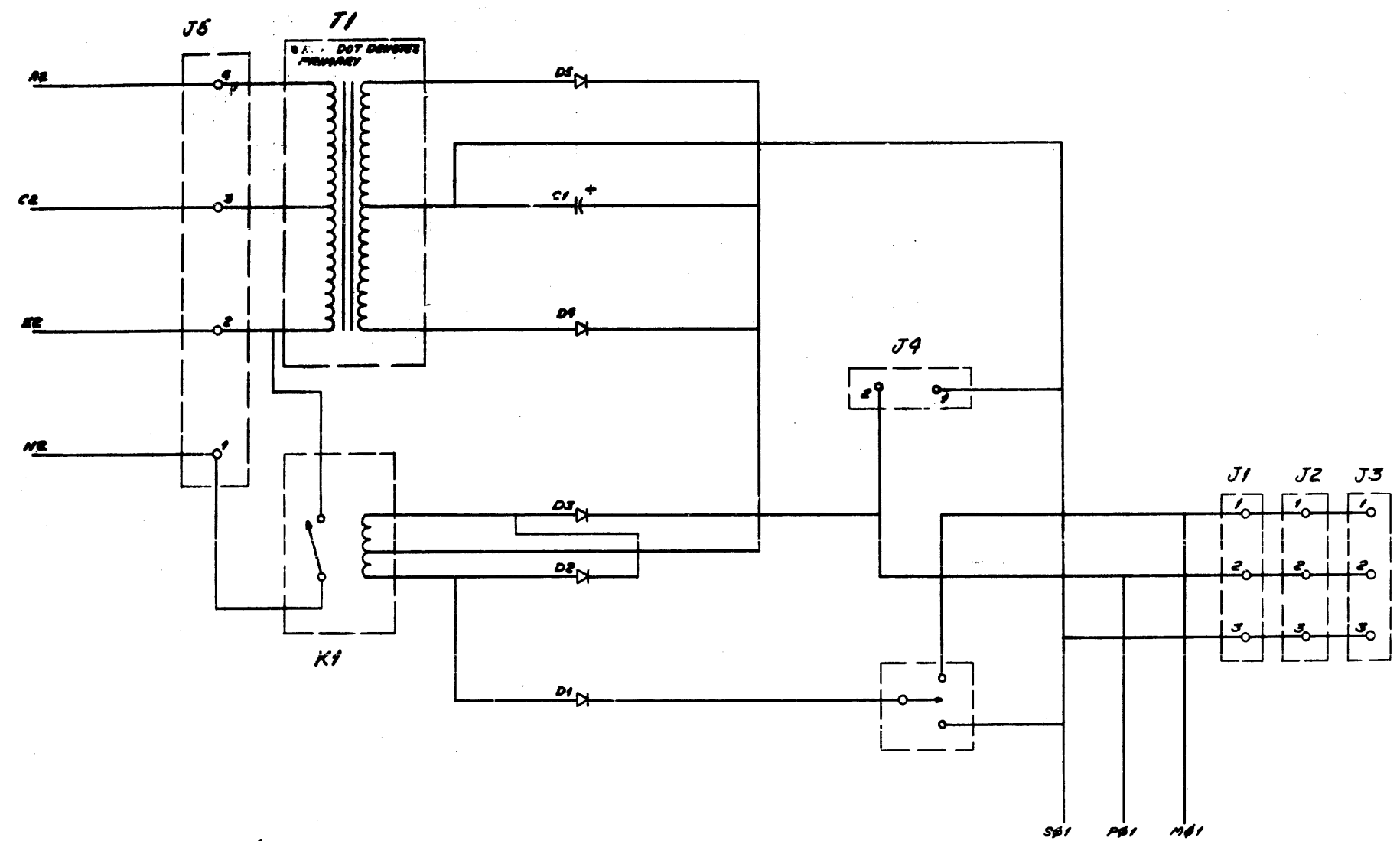


Table with 3 columns and 10 rows, likely for IC pin locations or component data.

Table with 4 columns: QTY, REF DESIGNATION, DESCRIPTION, PART NO., ITEM NO. Contains parts list for components like S1, K1, T1, J1-J5, D1-D5, and C1.

Administrative and title block containing 'FIRST USED ON OPTION MODEL', 'ETCH BOARD REV', 'EQUIPMENT CORPORATION', 'PILOT CONTROL', and drawing dates/signatures.

See drawing for specifications. Refer to the drawing for dimensions and tolerances. All dimensions are in inches unless otherwise specified. All angles are in degrees unless otherwise specified. All surface finishes are as shown unless otherwise specified.



FIRST USED ON OPTION/MODEL	QTY.	DESCRIPTION	PART NO.	REV.
B61 PC.				
PARTS LIST				
UNLESS OTHERWISE SPECIFIED DIMENSIONS IN INCHES	DATE 9-25-72	EQUIPMENT CORPORATION		
TOLERANCES	DATE 7-17-72	TITLE		
DECIMALS	DATE 9-17-72	PILOT CONTROL		
ANGLES	DATE 9-17-72			
XXX - 025	DATE 9-21-72	REV.		
XX - 02	DATE 9-21-72	DCS 5410206-0-1		
X - 1	DATE 9-21-72	REV. B		
REMOVE BURRS AND BREAK SHARP CORNERS SURFACE QUALITY	DATE 9-21-72	SCALE NONE		
MATERIAL	NEXT HIGHER ASSY.	SHEET 2 OF 2		
FINISH		DWT.		